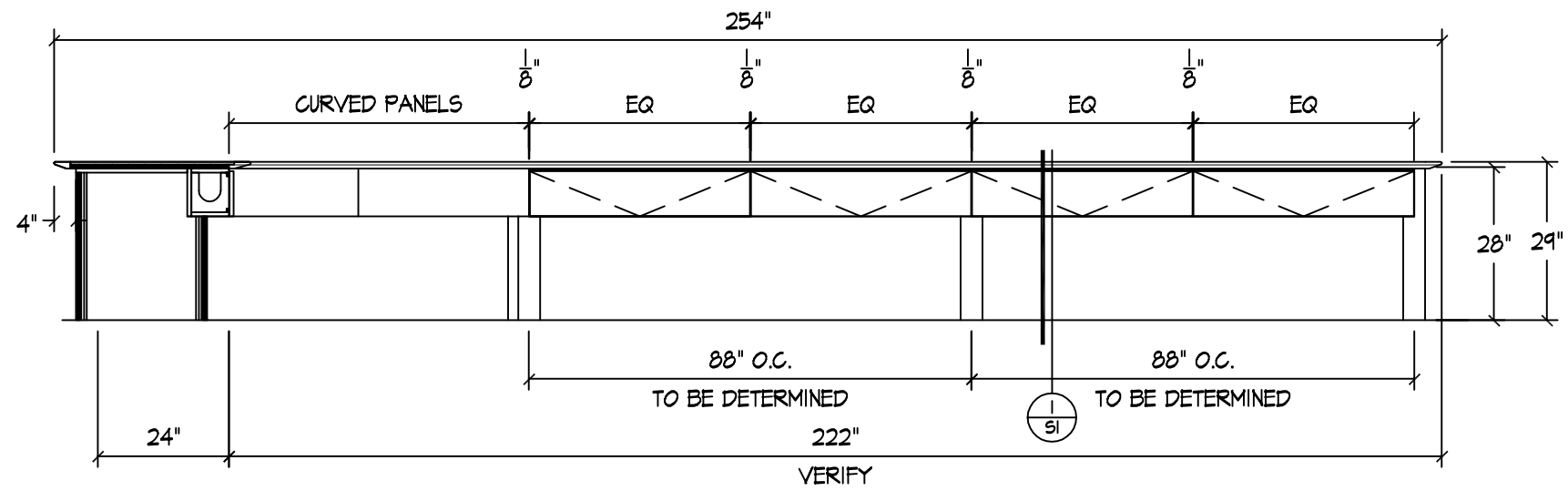
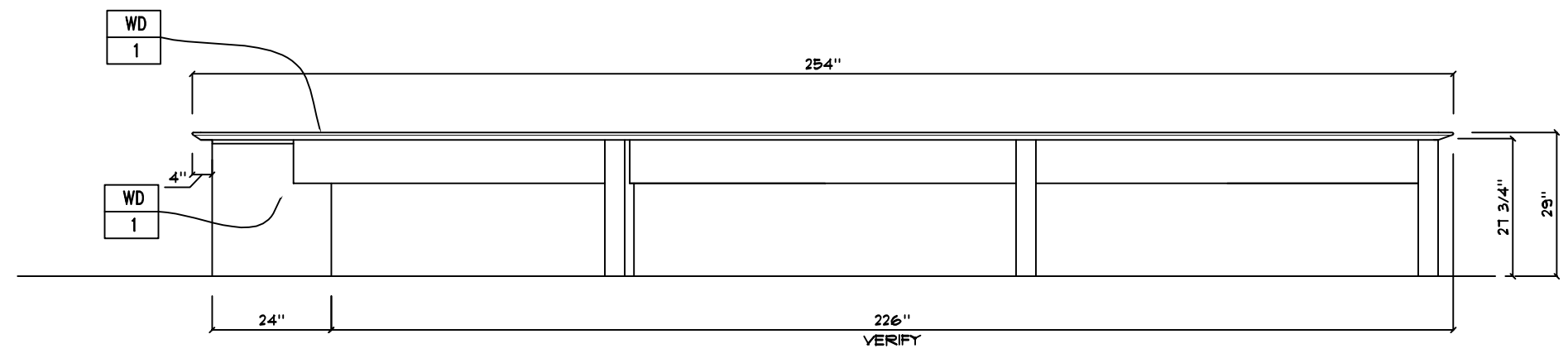


A PLAN VIEW—CONFERENCE TABLE
SCALE 3/8" = 12"

EXPOSED MATERIAL SCHEDULE	SEMI-EXPOSED MATERIAL	DRAWER SLIDES	DRAWER BOXES	HINGES	PULLS	SHELF HARDWARE	LOCKS
PLAM - 01 = NEVAMAR #WM-5528E 'VERMONT MAPLE' TEXT.	MELAMINE <input checked="" type="checkbox"/>	GRASS <input type="checkbox"/>	GRASS ZARGEN <input type="checkbox"/>	BLUM EURO <input checked="" type="checkbox"/>	VERIFY TYPE	PIN & SOCKET <input checked="" type="checkbox"/>	TYPE _____
PLAM - 02 = NEVAMAR # EM-6-1T 'AGED ELEMENTS' TEXT.	WHITE <input checked="" type="checkbox"/>	ACCURIDE <input type="checkbox"/>	MELAMINE BOX <input type="checkbox"/>	OPG DEGREE 125 <input checked="" type="checkbox"/>	3" OC <input type="checkbox"/>	METAL STANDARD <input type="checkbox"/>	CAT # _____
PLAM - 03 = N/A	BLACK <input type="checkbox"/>	Full Extension 3832	MAPLE PLY BOX <input checked="" type="checkbox"/>	OPG DEGREE 170 <input checked="" type="checkbox"/>	4" OC <input checked="" type="checkbox"/>	CLIP # PG-6NK	FINISH _____
WD - 01 = TO BE DETERMINED	OTHER <input type="checkbox"/>	3/4 EXTENSION <input type="checkbox"/>	OTHER <input type="checkbox"/>	OTHER <input type="checkbox"/>	OC <input type="checkbox"/>	STD # _____	KD <input type="checkbox"/> KA <input type="checkbox"/>
PLAM - 05 =		FULL EXTENSION <input type="checkbox"/>			Brushed Chrome	BRACKET # _____	

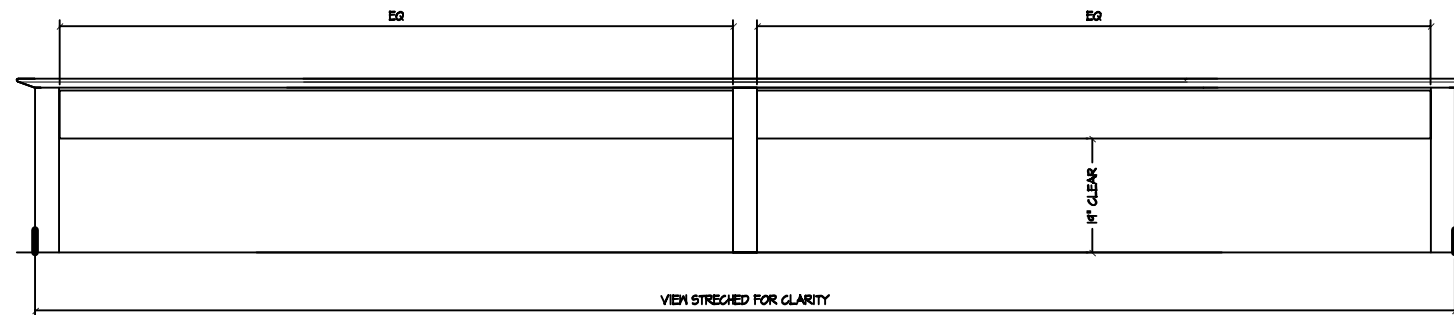


2 ELEVATION -
SCALE 3/8" = 12"

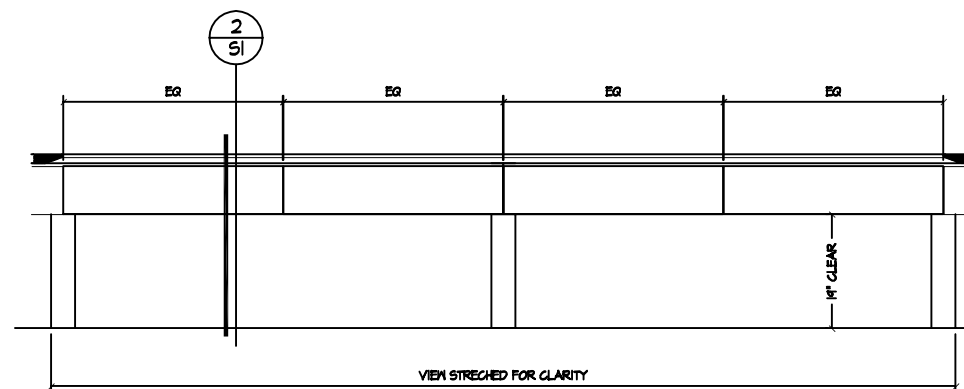


1 ELEVATION -
SCALE 3/8" = 12"

EXPOSED MATERIAL SCHEDULE	SEMI-EXPOSED MATERIAL	DRAWER SLIDES	DRAWER BOXES	HINGES	PULLS	SHELF HARDWARE	LOCKS
PLAM - 01 = NEVAMAR #WM-5528E 'VERMONT MAPLE' TEXT.	MELAMINE <input checked="" type="checkbox"/>	GRASS <input type="checkbox"/>	GRASS ZARGEN <input type="checkbox"/>	BLUM EURO <input checked="" type="checkbox"/>	VERIFY TYPE	PIN & SOCKET <input checked="" type="checkbox"/>	TYPE _____
PLAM - 02 = NEVAMAR # EM-6-1T 'AGED ELEMENTS' TEXT.	WHITE <input checked="" type="checkbox"/>	ACCURIDE <input type="checkbox"/>	MELAMINE BOX <input type="checkbox"/>	OPG DEGREE 125 <input checked="" type="checkbox"/>	3" OC <input type="checkbox"/>	METAL STANDARD <input type="checkbox"/>	CAT # _____
PLAM - 03 = N/A	BLACK <input type="checkbox"/>	Full Extension 3832	MAPLE PLY BOX <input checked="" type="checkbox"/>	OPG DEGREE 170 <input type="checkbox"/>	4" OC <input checked="" type="checkbox"/>	CLIP # PG-6NK	FINISH _____
WD - 01 = TO BE DETERMINED	OTHER <input type="checkbox"/>	3/4 EXTENSION <input type="checkbox"/>	OTHER <input type="checkbox"/>	OTHER <input type="checkbox"/>	OC <input type="checkbox"/>	STD # _____	KD <input type="checkbox"/> KA <input type="checkbox"/>
PLAM - 05 =		FULL EXTENSION <input type="checkbox"/>			Brushed Chrome	BRACKET # _____	



4 ELEVATION -
SCALE 3/8" = 12"



3 ELEVATION -
SCALE 3/8" = 12"

EXPOSED MATERIAL SCHEDULE

PLAM - 01 = NEVAMAR #WM-5528E 'VERMONT MAPLE' TEXT.
PLAM - 02 = NEVAMAR # EM-6-1T 'AGED ELEMENTS' TEXT.
PLAM - 03 = N/A
WD - 01 = TO BE DETERMINED
PLAM - 05 =

SEMI-EXPOSED MATERIAL

MELAMINE <input checked="" type="checkbox"/>	PLASTIC LAMINATE <input type="checkbox"/>
WHITE <input checked="" type="checkbox"/>	VENEER <input type="checkbox"/>
BLACK <input type="checkbox"/>	
OTHER <input type="checkbox"/>	OTHER <input type="checkbox"/>

DRAWER SLIDES

GRASS <input type="checkbox"/>
ACCURIDE <input checked="" type="checkbox"/>
Full Extension 3832
3/4 EXTENSION <input type="checkbox"/>
FULL EXTENSION <input type="checkbox"/>

DRAWER BOXES

GRASS ZARGEN <input type="checkbox"/>
MELAMINE BOX <input type="checkbox"/>
MAPLE PLY BOX <input checked="" type="checkbox"/>
OTHER <input type="checkbox"/>

HINGES

BLUM EURO <input checked="" type="checkbox"/>
OPG DEGREE 125 <input checked="" type="checkbox"/>
OPG DEGREE 170 <input type="checkbox"/>
OTHER <input type="checkbox"/>

PULLS

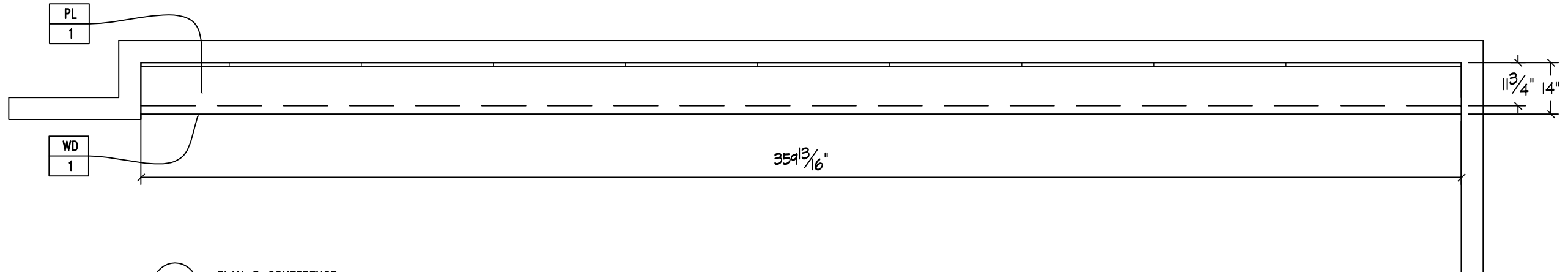
VERIFY TYPE
3" OC <input type="checkbox"/>
4" OC <input checked="" type="checkbox"/>
OC <input type="checkbox"/>
Brushed Chrome

SHELF HARDWARE

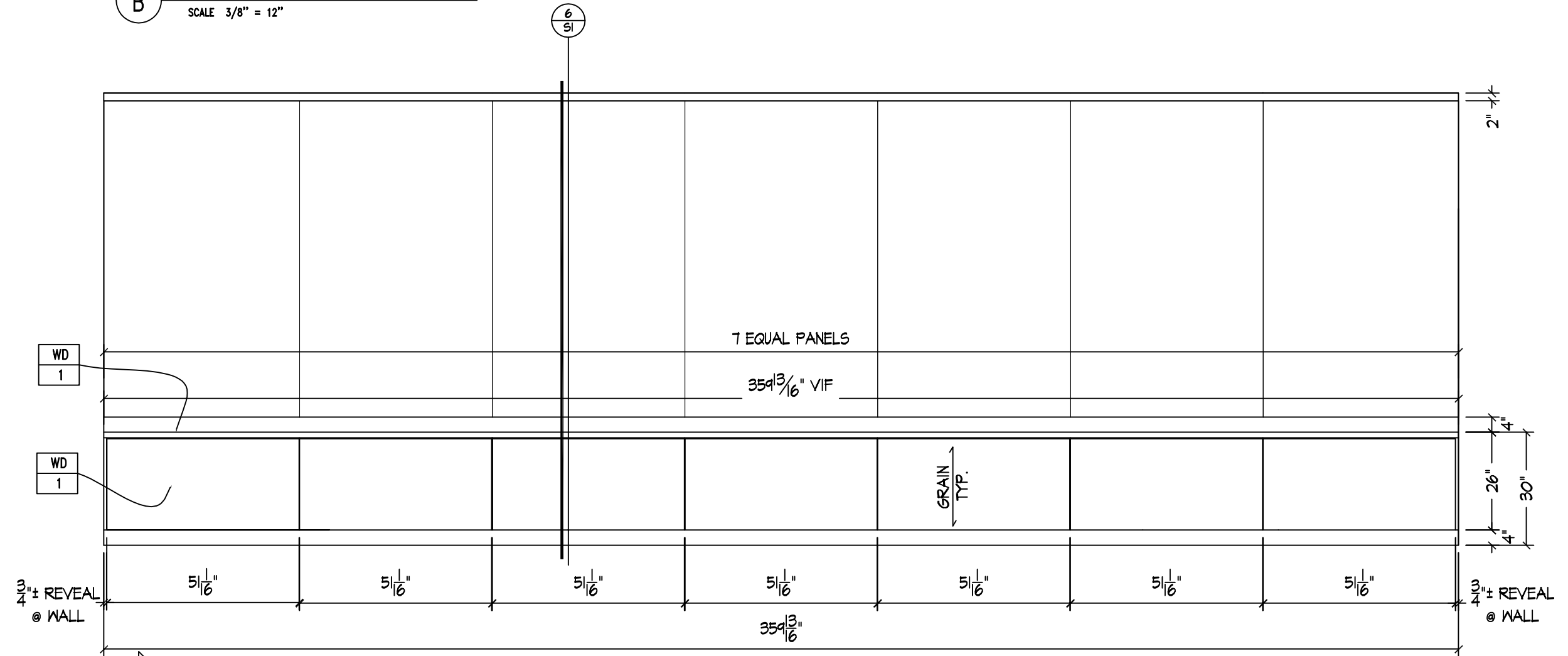
PIN & SOCKET <input checked="" type="checkbox"/>
METAL STANDARD <input type="checkbox"/>
CLIP # PG-6NK
STD #
BRACKET #

LOCKS

TYPE
CAT #
FINISH
KD <input type="checkbox"/> KA <input type="checkbox"/>



B PLAN @ CONFERENCE
SCALE 3/8" = 12"



5 ELEVATION -
SCALE 3/8" = 12"

EXPOSED MATERIAL SCHEDULE

PLAM - 01 = NEVAMAR #WM-5528E 'VERMONT MAPLE' TEXT.
PLAM - 02 = NEVAMAR # EM-6-1T 'AGED ELEMENTS' TEXT.
PLAM - 03 = N/A
WD - 01 = TO BE DETERMINED
PLAM - 05 = .

SEMI-EXPOSED MATERIAL

MELAMINE <input checked="" type="checkbox"/>	PLASTIC LAMINATE <input type="checkbox"/>
WHITE <input checked="" type="checkbox"/>	VENEER <input type="checkbox"/>
BLACK <input type="checkbox"/>	
OTHER <input type="checkbox"/>	OTHER <input type="checkbox"/>

DRAWER SLIDES

GRASS <input checked="" type="checkbox"/>
ACCURIDE <input type="checkbox"/>
Full Extension 3832 <input checked="" type="checkbox"/>
3/4 EXTENSION <input type="checkbox"/>
FULL EXTENSION <input type="checkbox"/>

DRAWER BOXES

GRASS ZARGEN <input type="checkbox"/>
MELAMINE BOX <input type="checkbox"/>
MAPLE PLY BOX <input checked="" type="checkbox"/>
OTHER <input type="checkbox"/>

HINGES

BLUM EURO <input checked="" type="checkbox"/>
OPG DEGREE 125 <input checked="" type="checkbox"/>
OPG DEGREE 170 <input type="checkbox"/>
OTHER <input type="checkbox"/>

PULLS

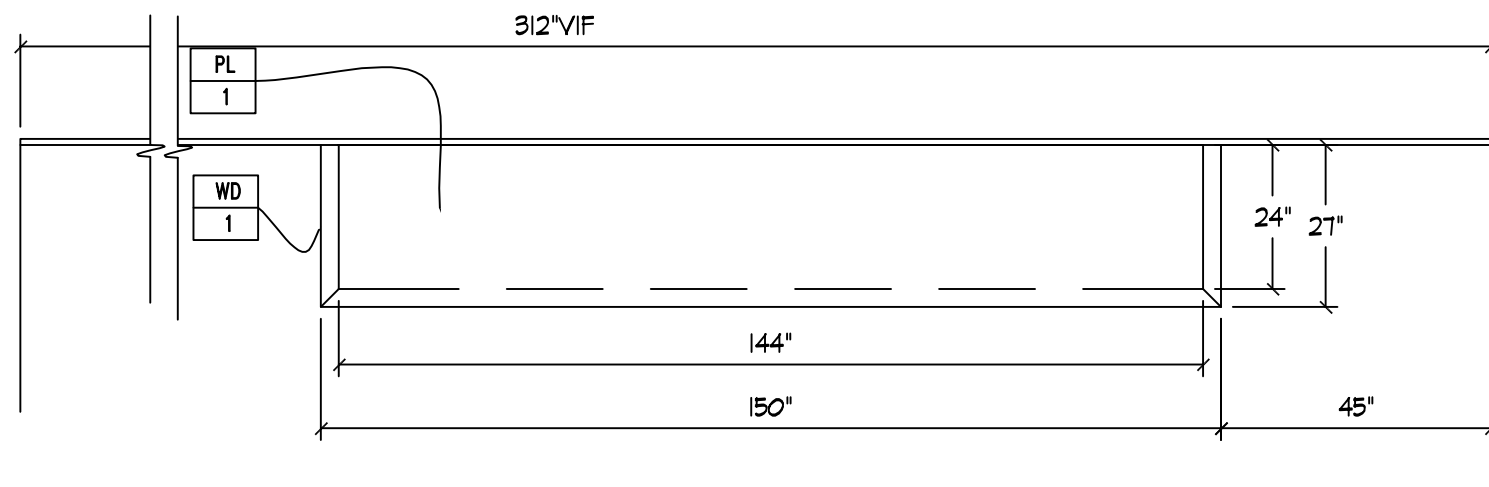
VERIFY TYPE <input type="checkbox"/>
3" OC <input type="checkbox"/>
4" OC <input checked="" type="checkbox"/>
OC <input type="checkbox"/>
Brushed Chrome <input type="checkbox"/>

SHELF HARDWARE

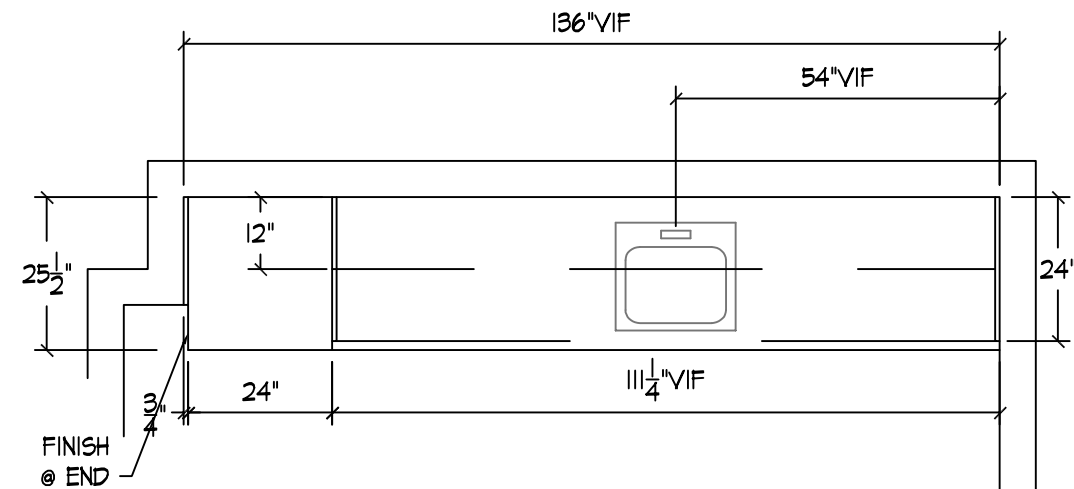
PIN & SOCKET <input checked="" type="checkbox"/>
METAL STANDARD <input type="checkbox"/>
CLIP # PG-6NK <input checked="" type="checkbox"/>
STD # <input type="checkbox"/>
BRACKET # <input type="checkbox"/>

LOCKS

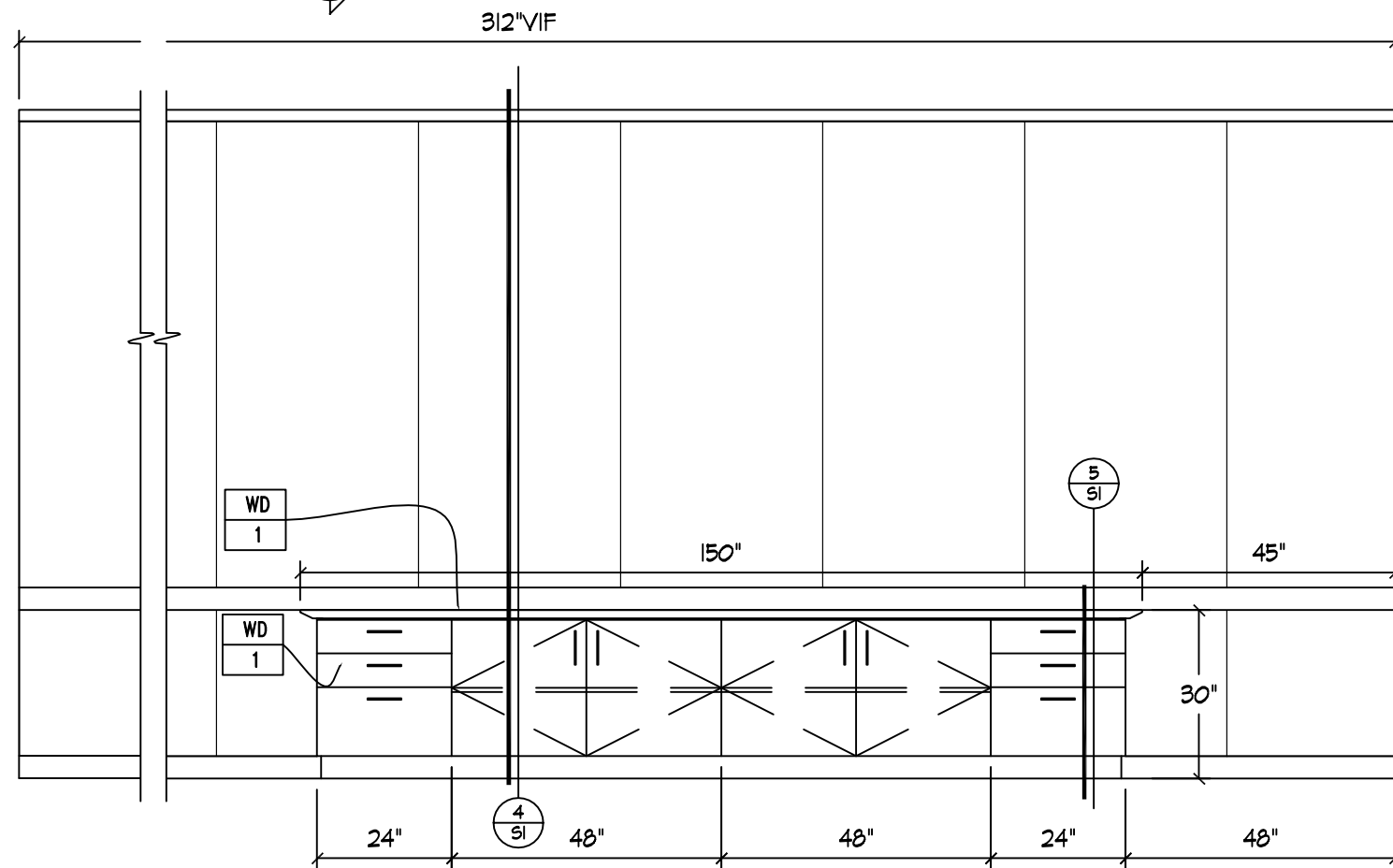
TYPE <input type="checkbox"/>
CAT # <input type="checkbox"/>
FINISH <input type="checkbox"/>
KD <input type="checkbox"/>
KA <input type="checkbox"/>



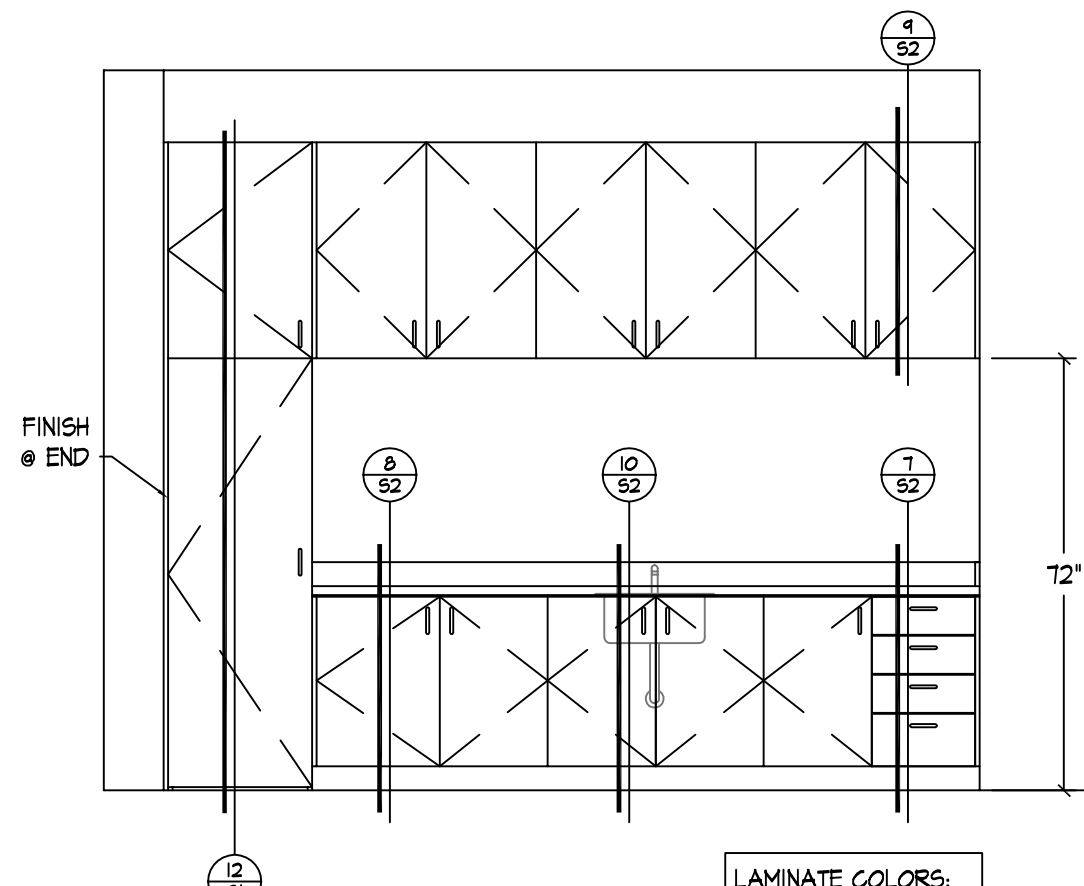
C PLAN @ CONFERENCE
SCALE 3/8" = 12"



D PLAN @ COFFEE
SCALE 3/8" = 12"



6 ELEVATION -
SCALE 3/8" = 12"



7 ELEVATION -
SCALE 3/8" = 12"

EXPOSED MATERIAL SCHEDULE

PLAM - 01 = NEVAMAR #WM-5528E 'VERMONT MAPLE' TEXT.
PLAM - 02 = NEVAMAR # EM-6-1T 'AGED ELEMENTS' TEXT.
PLAM - 03 = N/A
WD - 01 = TO BE DETERMINED
PLAM - 05 =

SEMI-EXPOSED MATERIAL

MELAMINE <input type="checkbox"/>	PLASTIC LAMINATE <input type="checkbox"/>
WHITE <input type="checkbox"/>	VENEER <input type="checkbox"/>
BLACK <input type="checkbox"/>	
OTHER <input type="checkbox"/>	OTHER <input type="checkbox"/>

DRAWER SLIDES

GRASS <input type="checkbox"/>
ACCURIDE <input type="checkbox"/>
Full Extension 3832 <input type="checkbox"/>
3/4 EXTENSION <input type="checkbox"/>
FULL EXTENSION <input type="checkbox"/>

DRAWER BOXES

GRASS ZARGEN <input type="checkbox"/>
MELAMINE BOX <input type="checkbox"/>
MAPLE PLY BOX <input type="checkbox"/>
OTHER <input type="checkbox"/>

HINGES

BLUM EURO <input type="checkbox"/>
OPG DEGREE 125 <input type="checkbox"/>
OPG DEGREE 170 <input type="checkbox"/>
OTHER <input type="checkbox"/>

PULLS

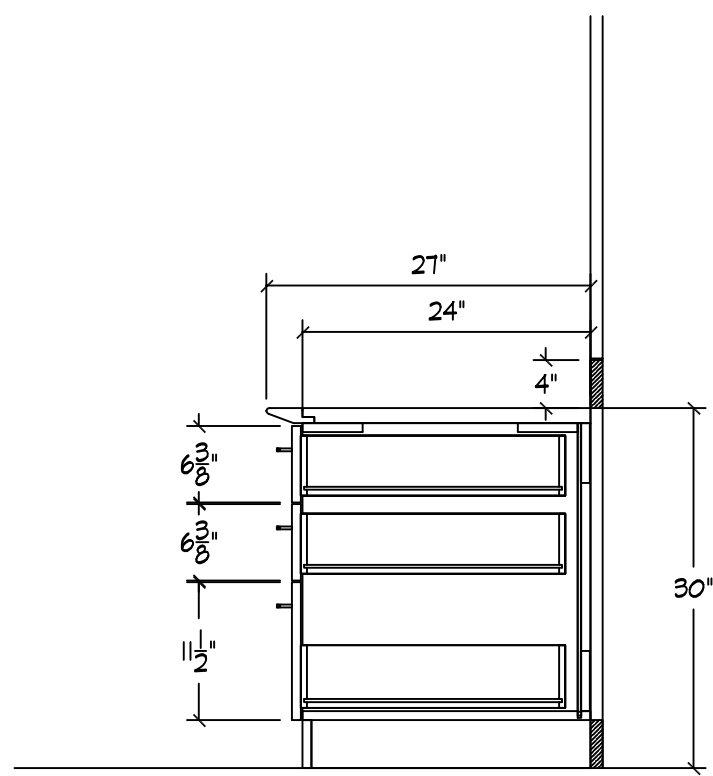
VERIFY TYPE <input type="checkbox"/>
3" OC <input type="checkbox"/>
4" OC <input type="checkbox"/>
OC <input type="checkbox"/>
Brushed Chrome <input type="checkbox"/>

SHELF HARDWARE

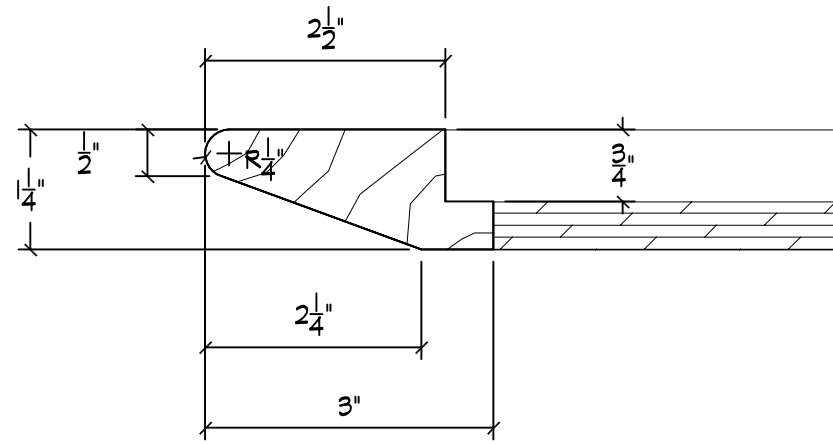
PIN & SOCKET <input type="checkbox"/>
METAL STANDARD <input type="checkbox"/>
CLIP # PG-6NK <input type="checkbox"/>
STD # <input type="checkbox"/>
BRACKET # <input type="checkbox"/>

LOCKS

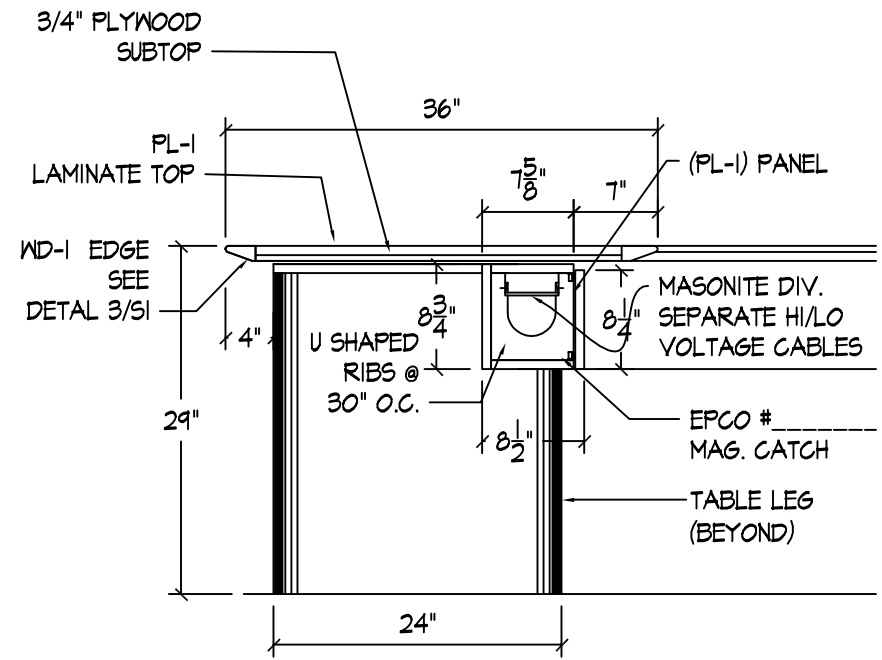
TYPE <input type="checkbox"/>
CAT # <input type="checkbox"/>
FINISH <input type="checkbox"/>
KD <input type="checkbox"/>
KA <input type="checkbox"/>



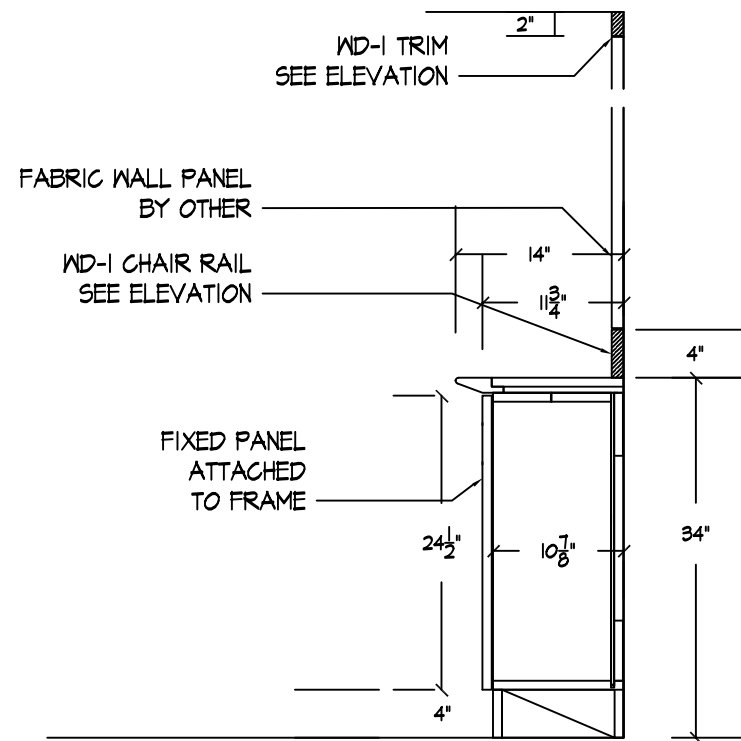
SECTION $\frac{3}{4}'' = 1'-0''$ 5



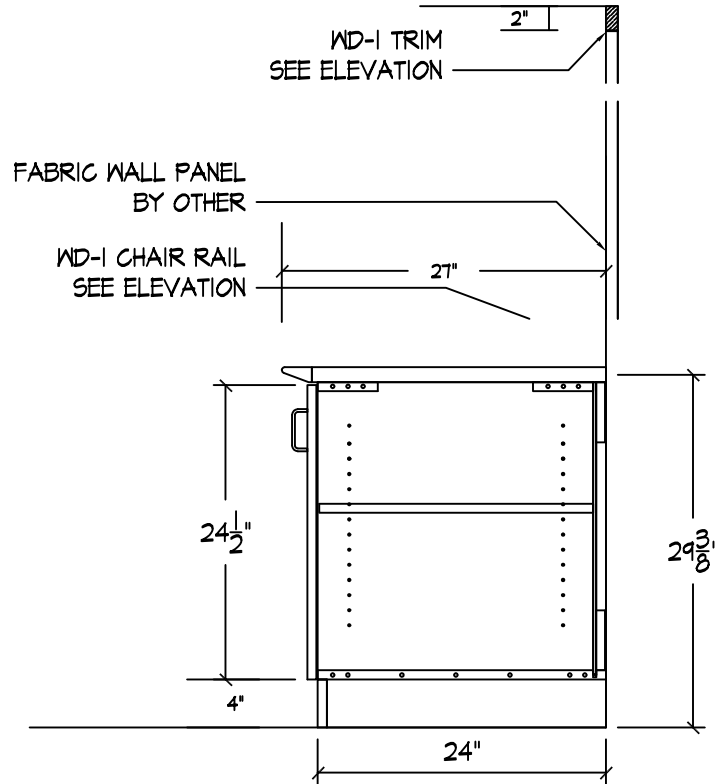
DETAIL @ WOOD EDGE $6'' = 1'-0''$ 3



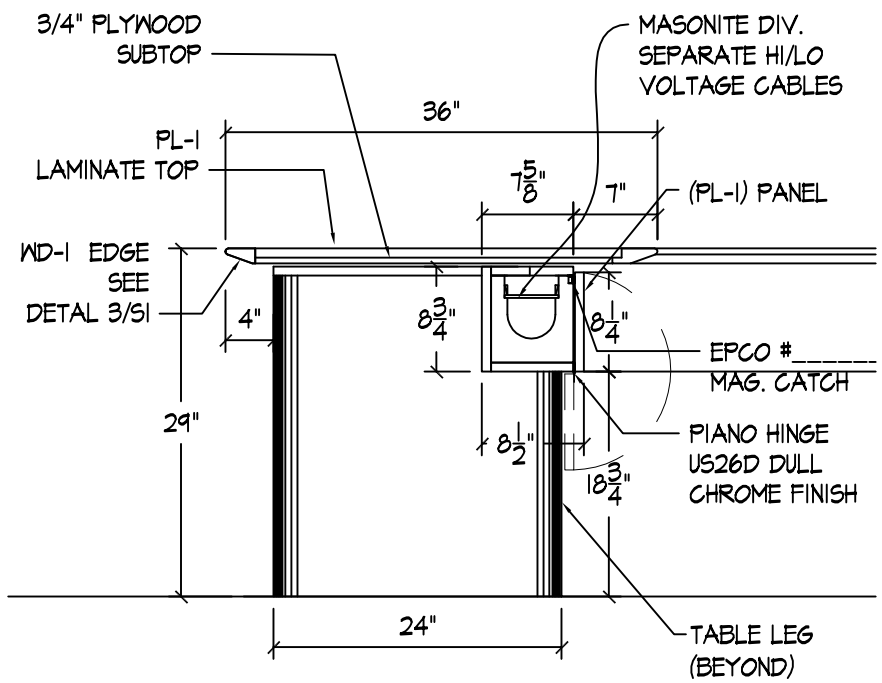
SECTION $\frac{3}{4}'' = 1'-0''$ 1



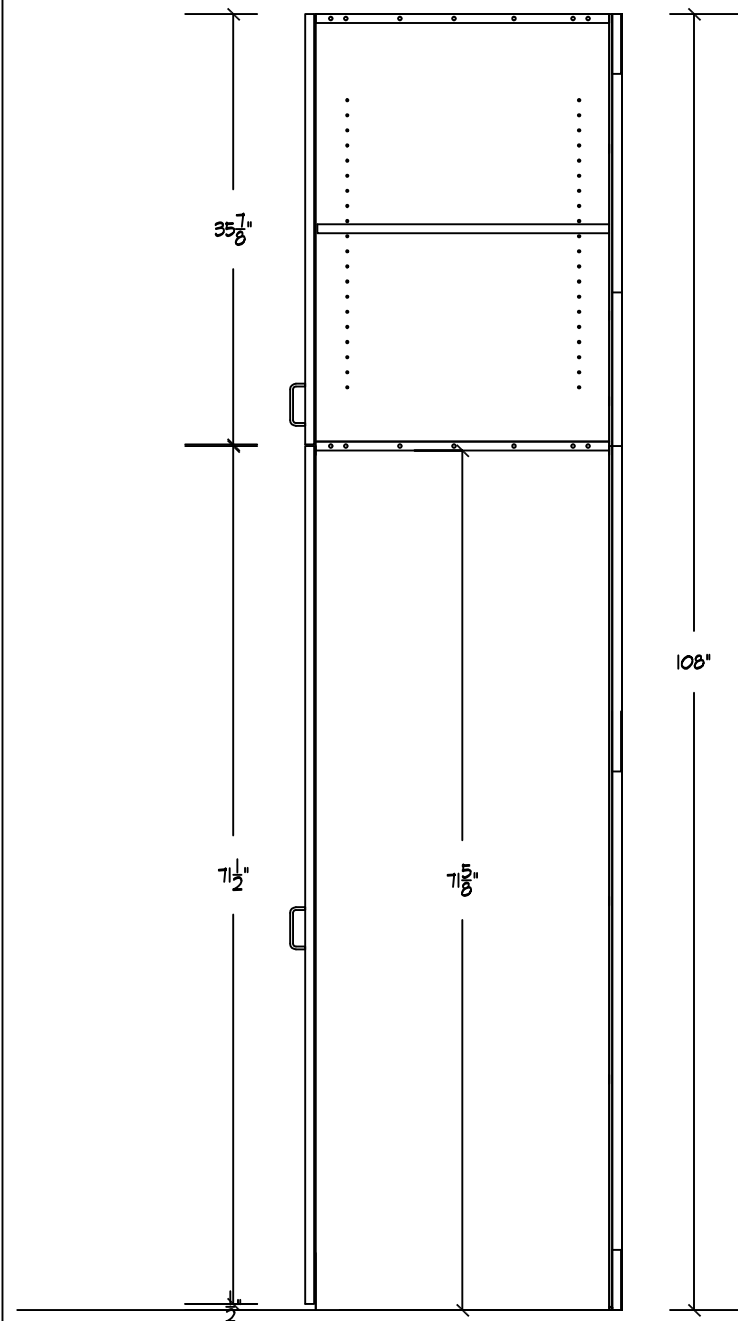
SECTION $\frac{3}{4}'' = 1'-0''$ 6



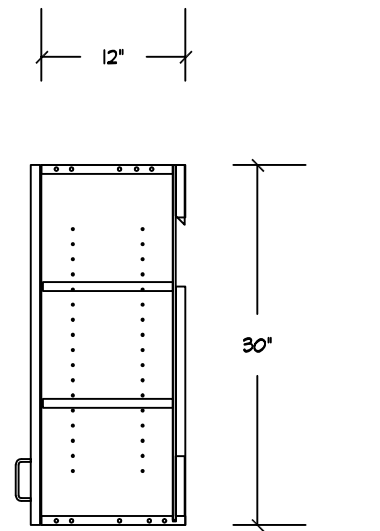
SECTION $\frac{3}{4}'' = 1'-0''$ 4



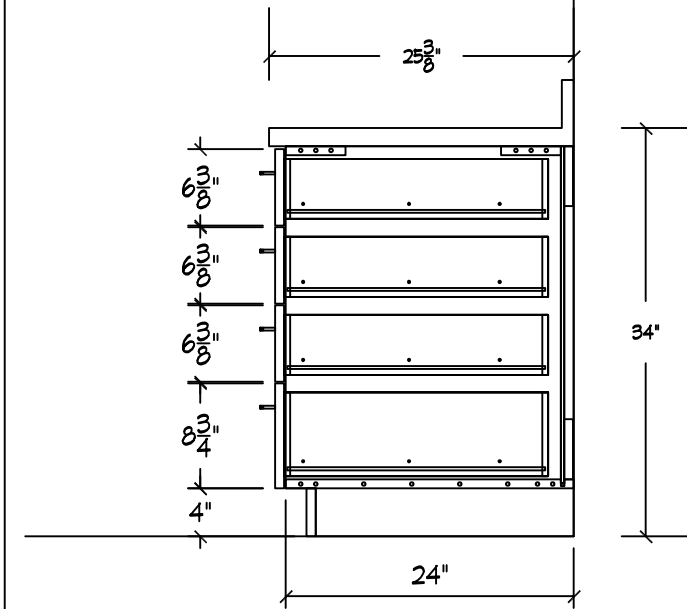
SECTION $\frac{3}{4}'' = 1'-0''$ 2



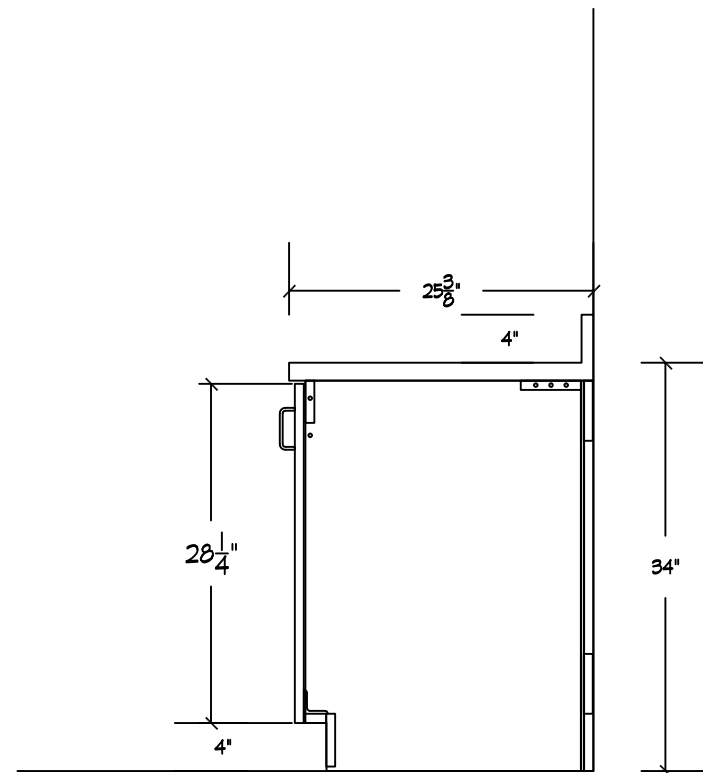
SECTION 12
3/4" = 1'-0"



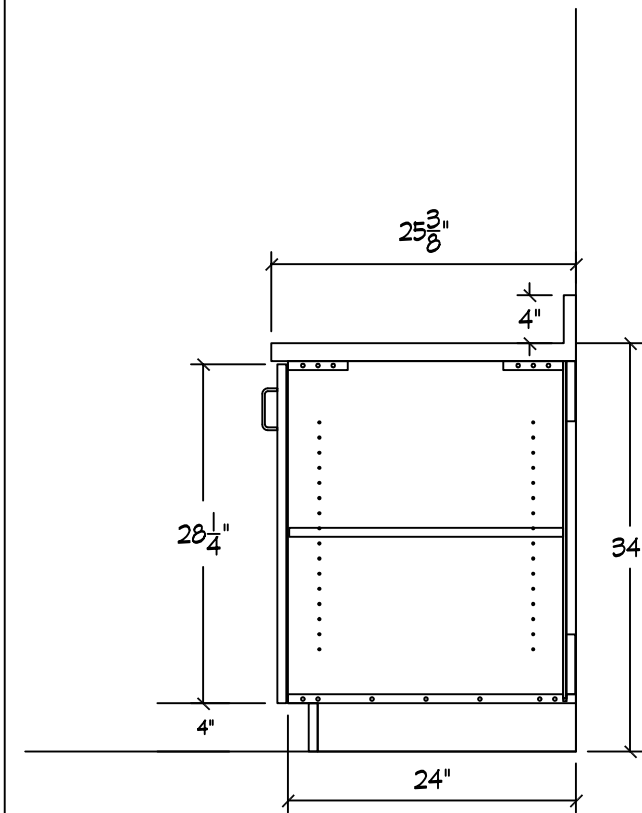
SECTION 9
3/4" = 1'-0"



SECTION 7
3/4" = 1'-0"



SECTION 10
3/4" = 1'-0"



SECTION 8
3/4" = 1'-0"