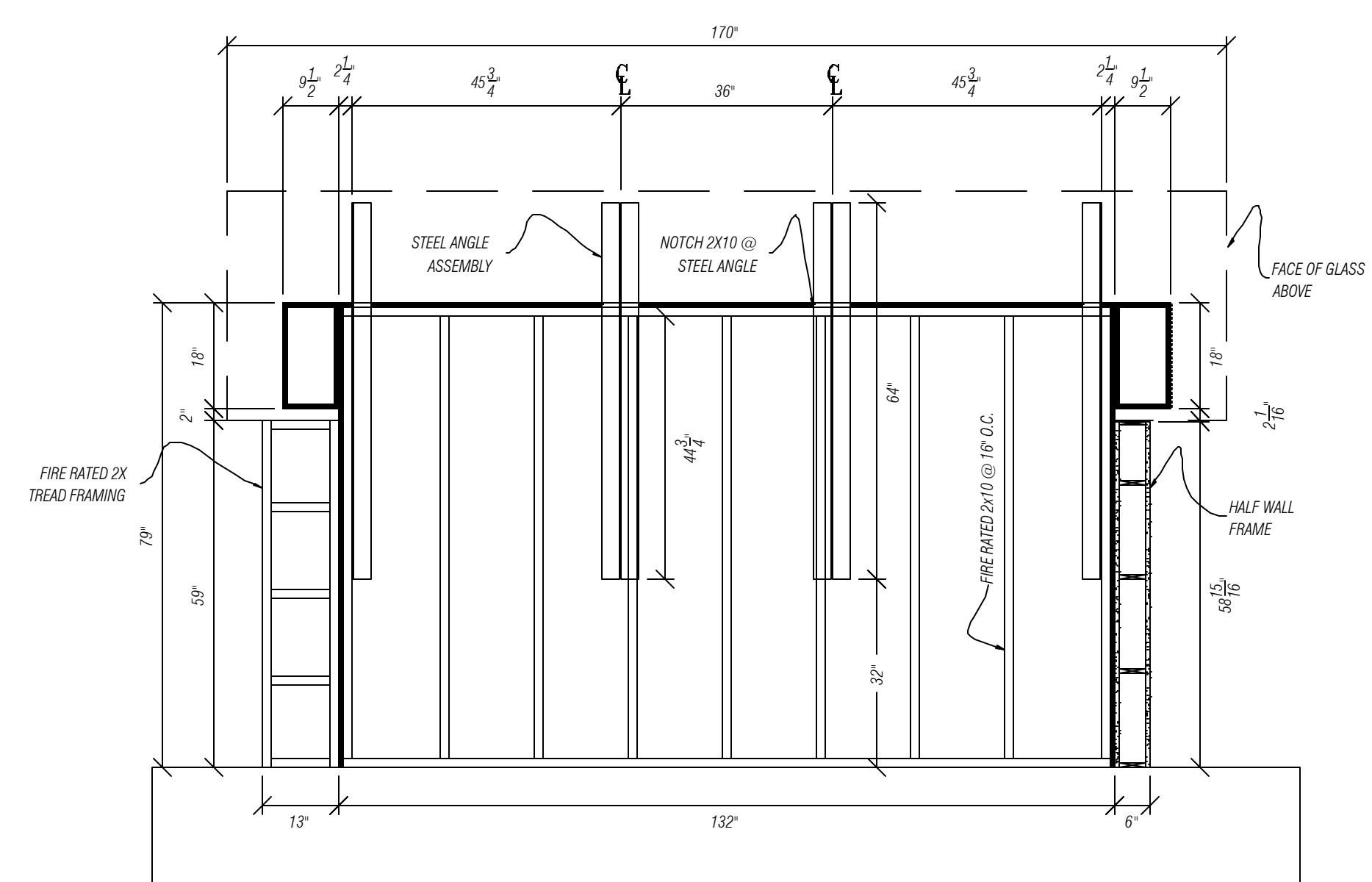
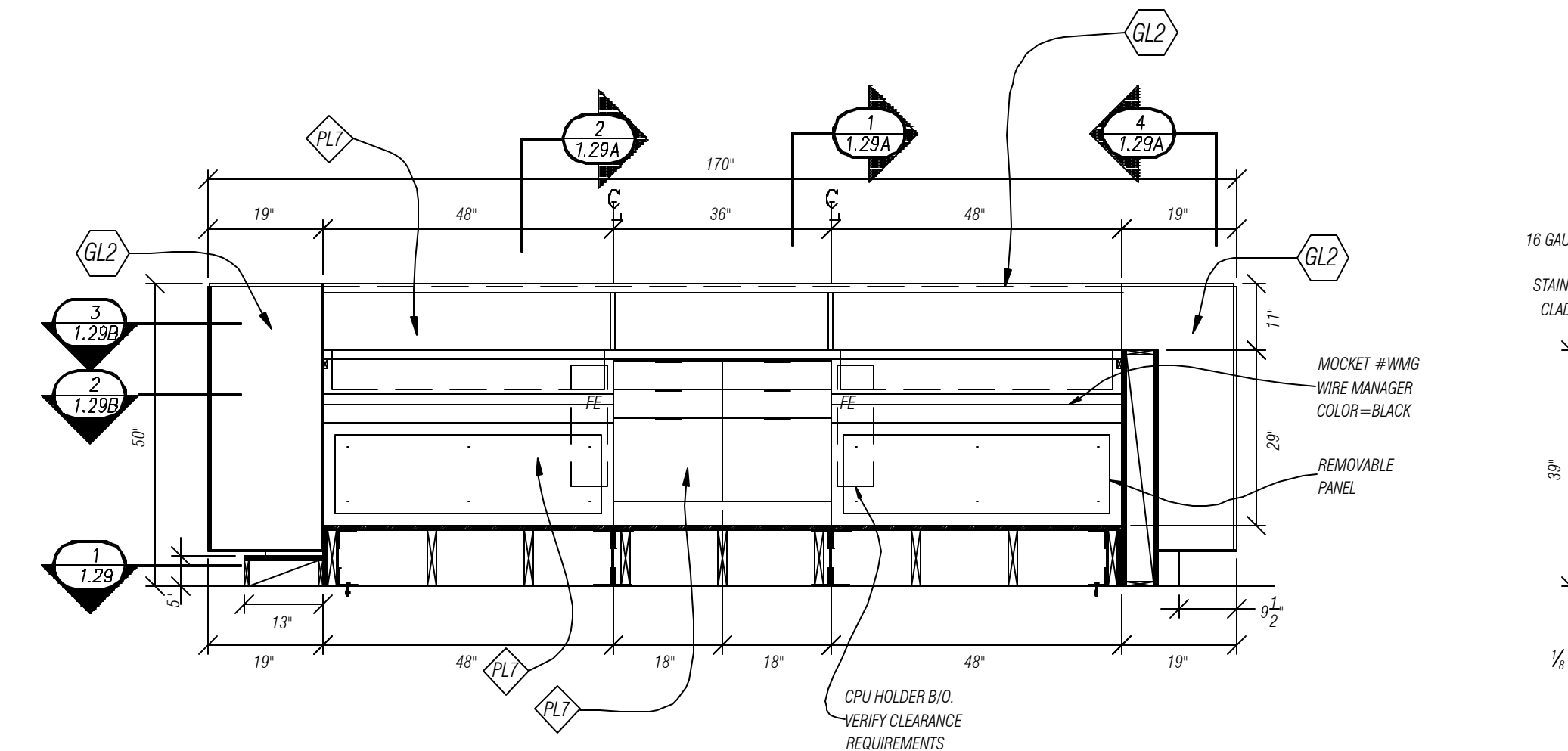


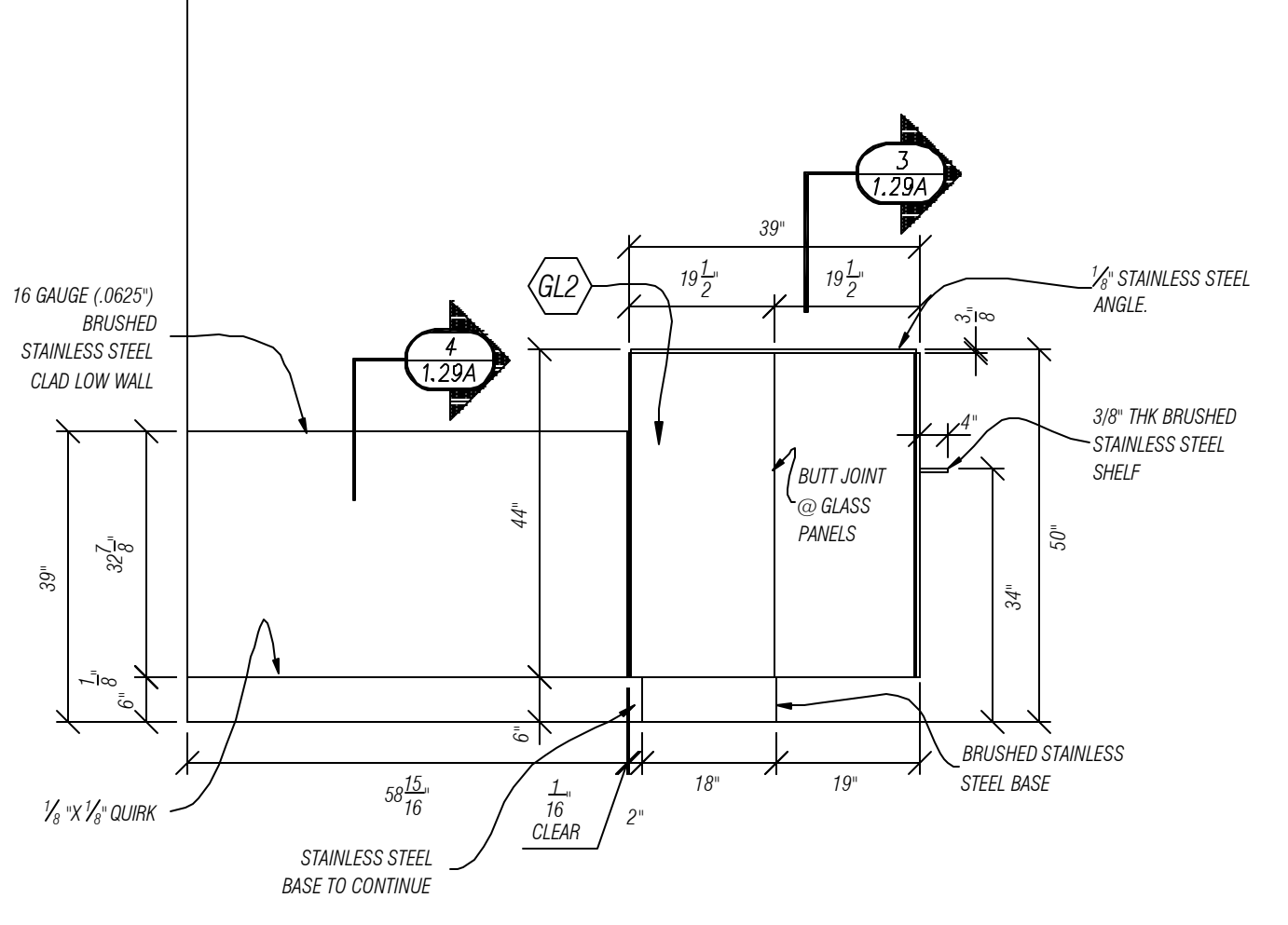
PLAN @ LOBBY 101 ITEM # 29
 ARCH-REF # A-TT-202 W/ 1,3,8,9,10/A-TT-603 SCALE: 1/2" = 1'-0"
 QTY 1



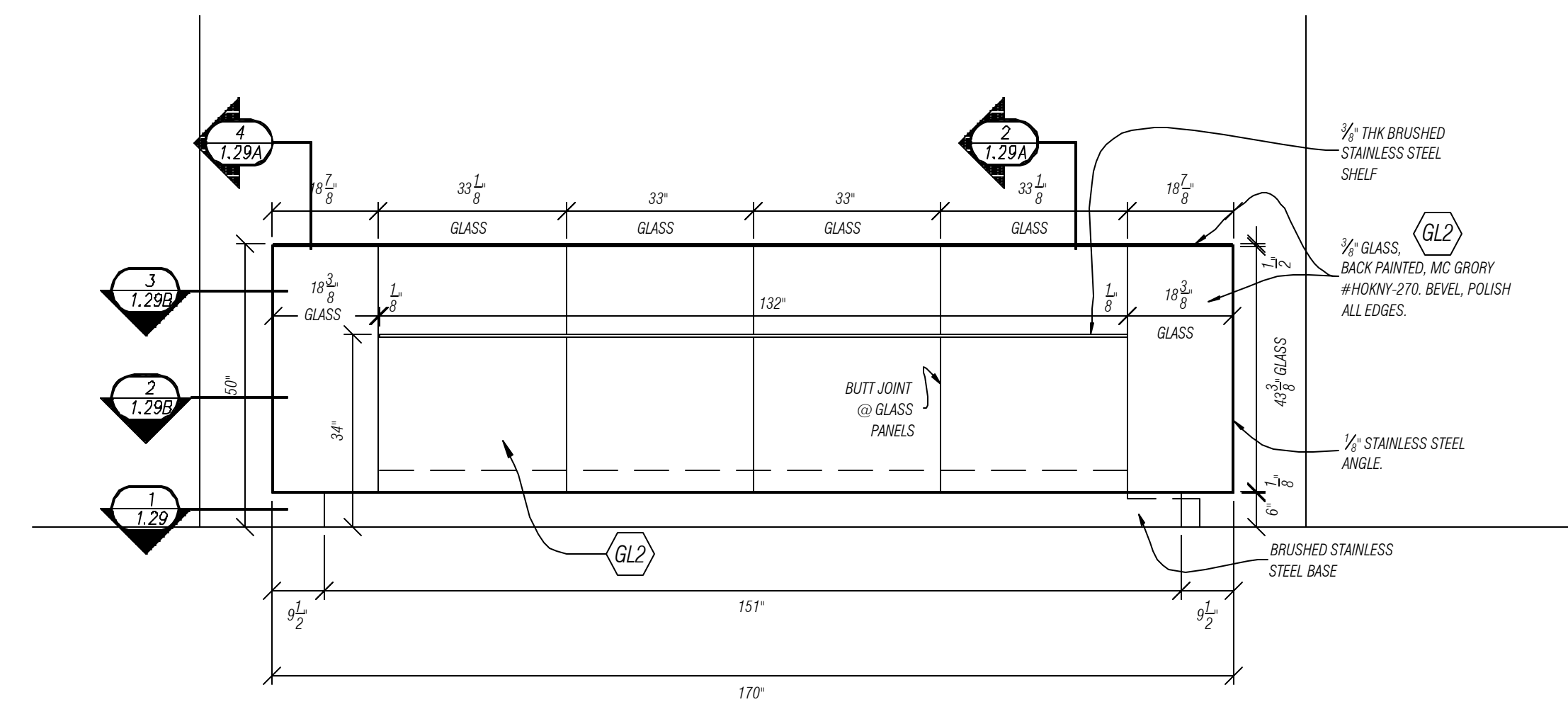
PLAN-SECTION -STEEL FRAME @ PLATFORM
 SCALE: 1/2" = 1'-0"



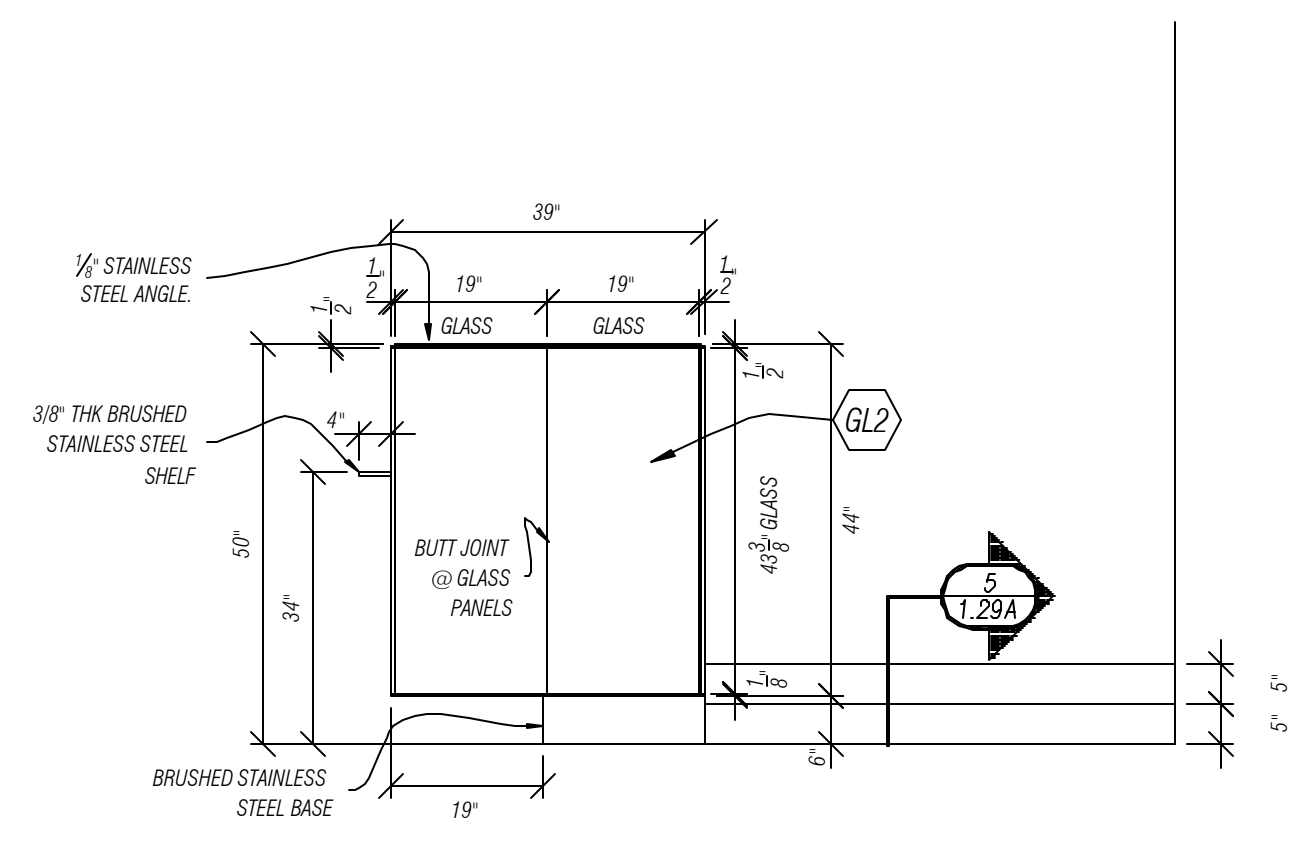
ELEVATION A
 SCALE: 1/2" = 1'-0"



ELEVATION B
 SCALE: 1/2" = 1'-0"



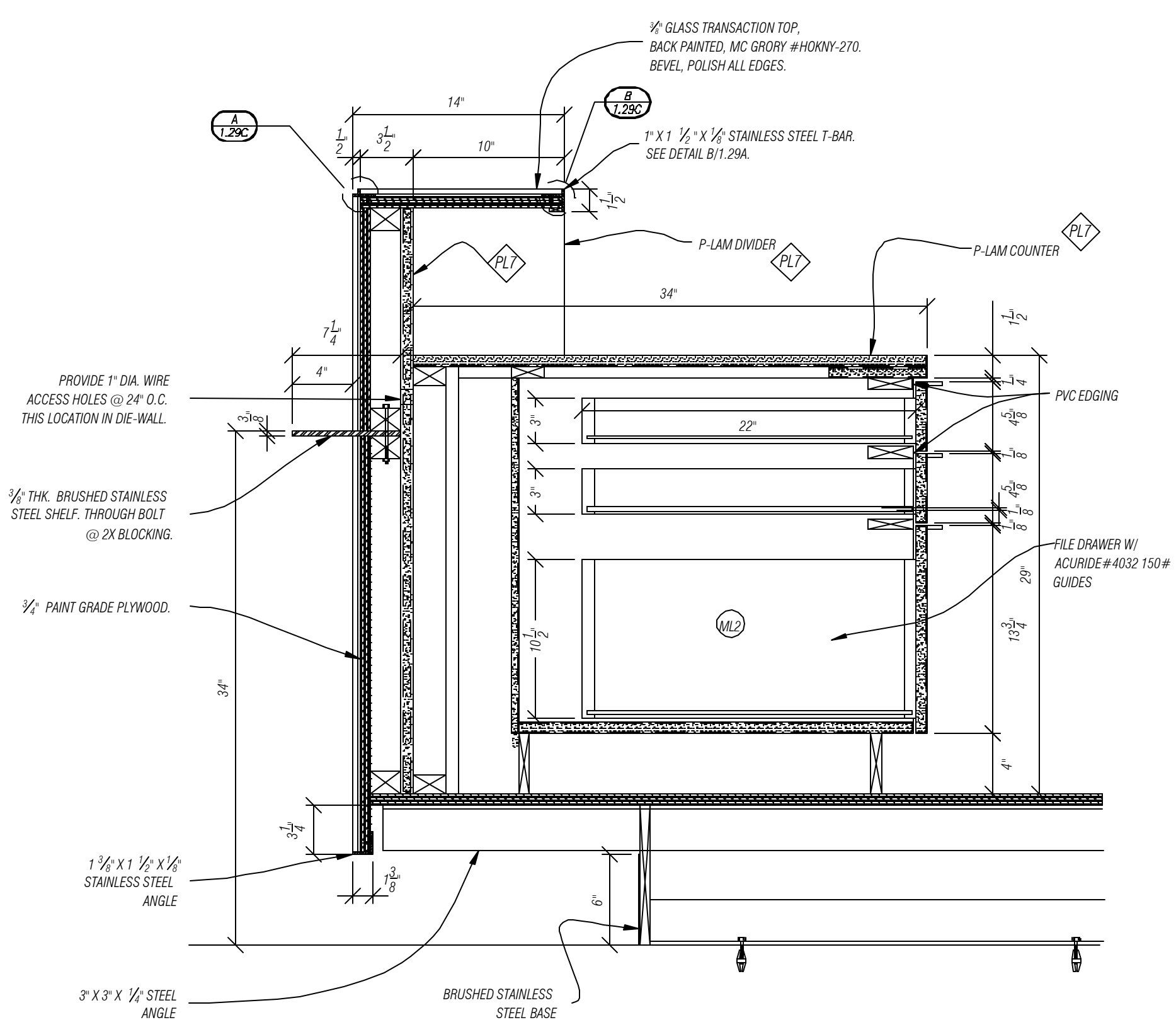
ELEVATION C
 SCALE: 1/2" = 1'-0"



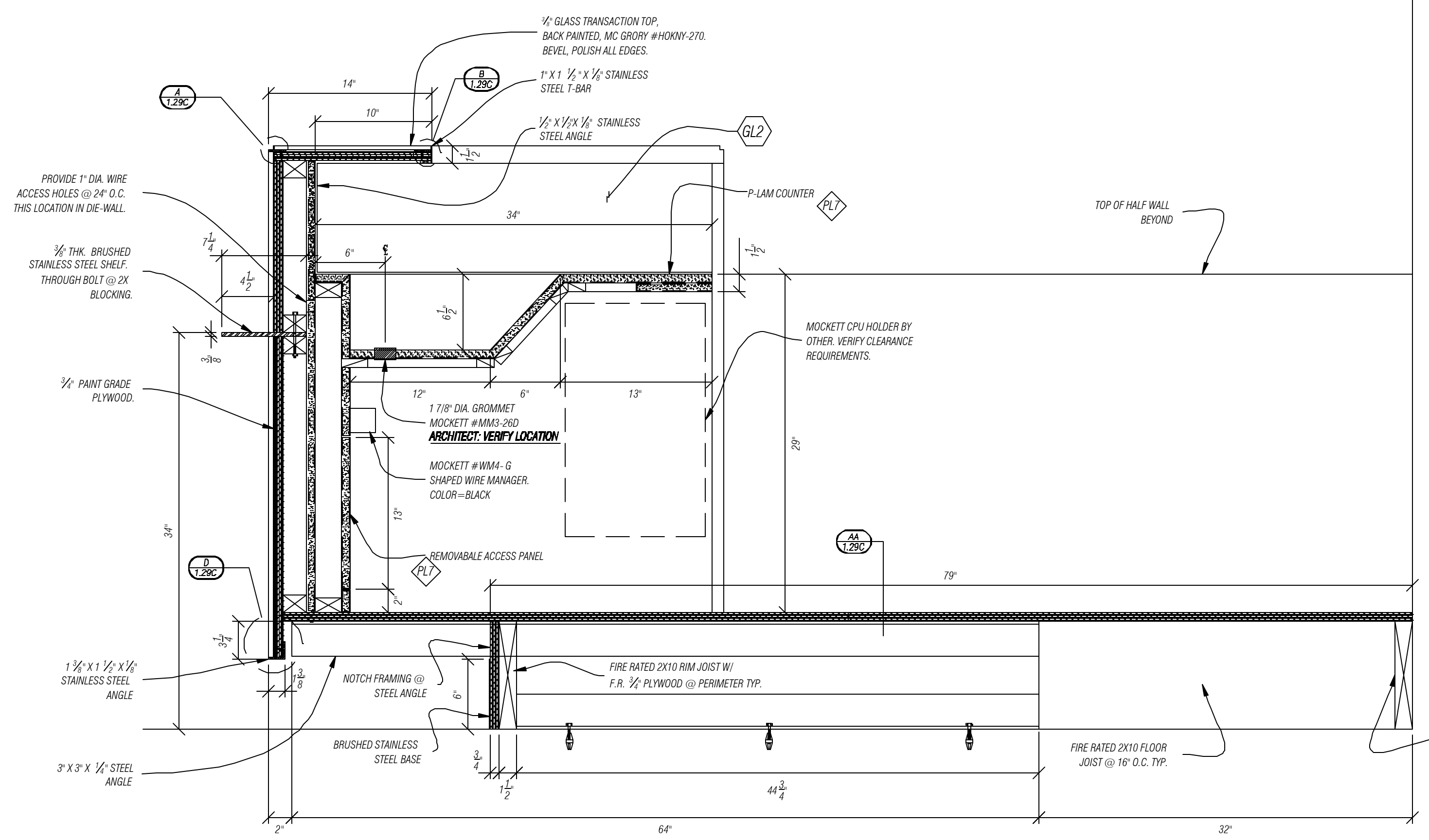
ELEVATION D
 SCALE: 1/2" = 1'-0"

- SYMBOLS**
- FE = FINISHED END
 - FL = FULL PLAM LEG
 - FP = FILLER PANEL
 - OH = OVERHANG
 - WTW = WALL TO WALL
 - WTHM = WALL TO HOLLOW METAL FRAME
 - WTC = WALL TO CORNER
 - WF = VERIFY IN FIELD
 - CWE = COUNTER WOOD EDGE
 - CSS = COUNTER SOLID SURFACE
 - CSE = PLAM COUNTER SELF EDGE
 - PLBS = FULL HEIGHT PLAM BACKSPASH
 - FD = FIELD DIMENSION

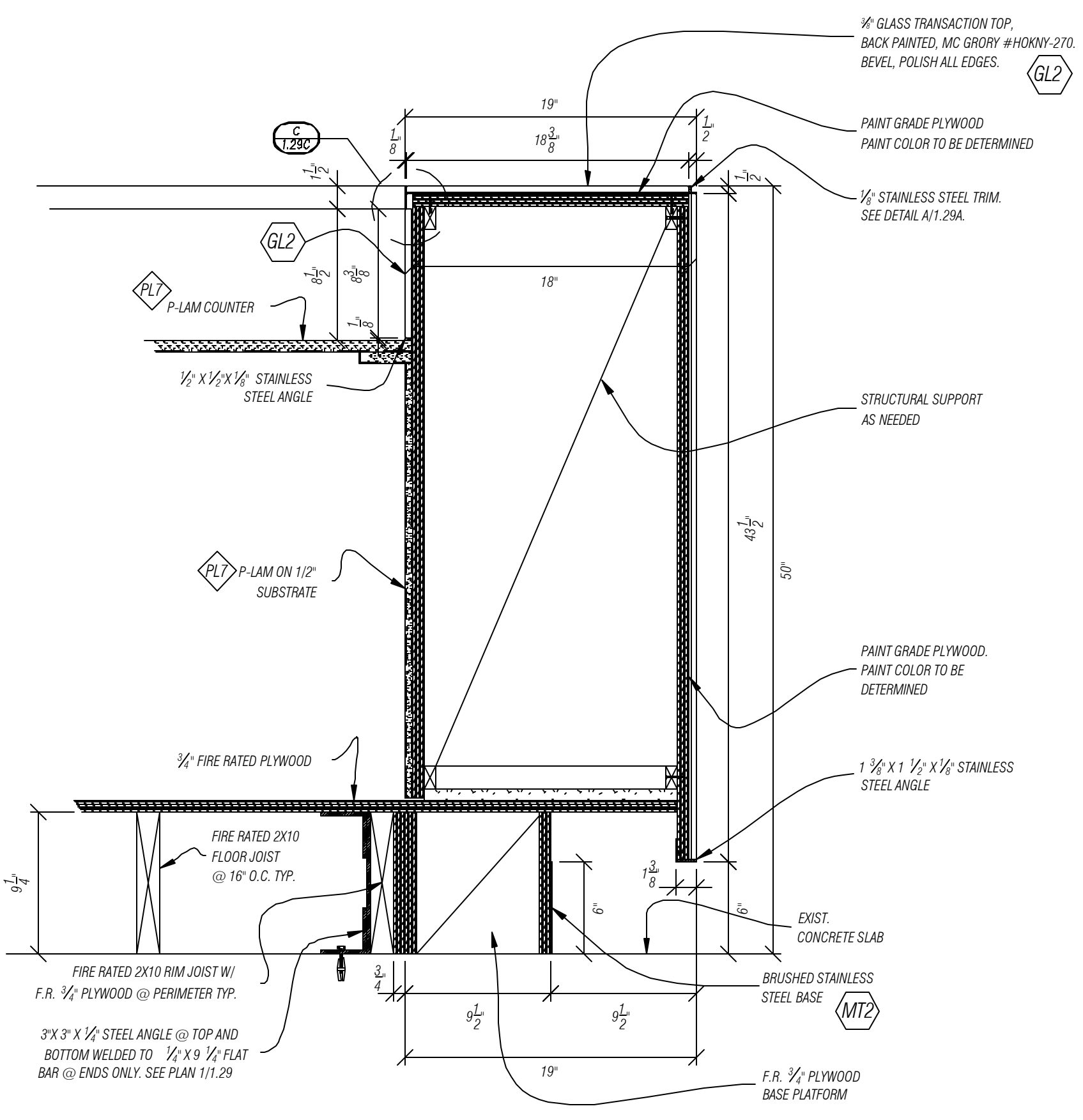
FINISH SCHEDULE			
EXPOSED SURFACES			
PL1	FORMICA COLORCORE #C949-90 WHITE POLISHED		
MT2	16 GAUGE (0.025) BRUSHED STAINLESS STEEL		
GL2	MC GRORY #HOKNY-270 -3/8" THICK BACK PAINTED, LOW IRON, ACID ETCHED GLASS. BEVEL AND POLISH ALL EDGES.		
SEMI - EXPOSED SURFACES			
ML2	WHITE MELAMINE		
SUBSTRATE			
PARTICLE BOARD			
MEDIUM DENSITY FIBERBOARD			
HARDWARE SCHEDULE			
PULLS: HAFELE 124.02.220			
DRAWER SLIDES: ACCURIDE 3832			
FILE DRAWER SLIDES: ACCURIDE 4032			
MOCKETT #CPU2A - CPU HOLDER, MATTE BLACK			
MOCKETT #WM4-G SHAPED BLACK WIRE MANAGER			
GROMMET: MOCKETT #MM3-26D SATIN CHROME, 1 7/8" DIA.			
EXCLUSIONS			
CREDENZA			
GENERAL NOTES:			
1- ALL DIMENSIONS TO BE VERIFIED IN FIELD			
HATCH LEGEND			
*** INDICATES SHIPPED LOOSE			
1	ARCH. BULLETIN #13 DATED 12/12/07	01/21/08	ADC
NO.	REVISION	DATE	IN
SLOAN & COMPANY, INC.			
38 Fairfield Place, P.O. Box CN 2845 West Caldwell, N.J. 07007-2845 Telephone (973) 227-3555 Fax (973) 227-8731			
JOB NAME: BMW HEADQUARTERS EXPANSION			
WOODCLIFF LAKE, NJ			
ARCHITECT: HELLMUTH, OBATA, & KASSABAUM			
CONTRACTOR: TERMINAL CONSTRUCTION			
DRAWING TITLE: PLANS AND ELEVATIONS LOBBY 101 - RECEPTION DESK ITEM #29			
SCALE AS NOTED	DRAWN BY ADC	APP'D. BY	
DATE 03/2007	JOB # 07-008-W	DRAWING # 1.29	



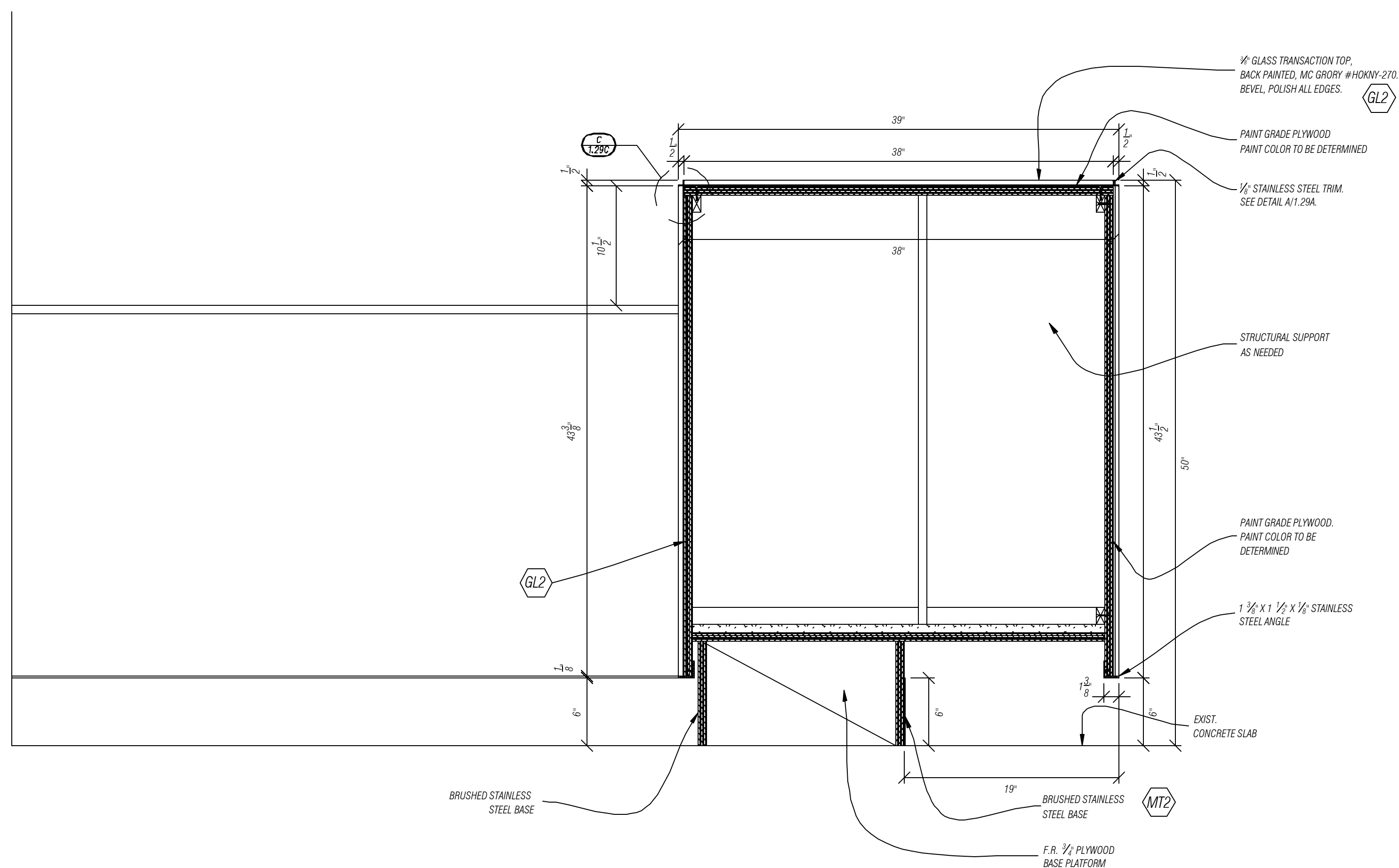
SECTION 1
1.29A SCALE: 1-1/2" = 1'-0"



SECTION 2
1.29A SCALE: 1-1/2" = 1'-0"



SECTION 3
1.29A SCALE: 1-1/2" = 1'-0"



SECTION 4
1.29A SCALE: 1-1/2" = 1'-0"

- SYMBOLS**
- FE = FINISHED END
 - FL = FULL PLAM LEG
 - FP = FILLER PANEL
 - OH = OVERHANG
 - WTW = WALL TO WALL
 - WTC = WALL TO CORNER
 - WTF = VERIFY IN FIELD
 - CWE = PLAM COUNTER WOOD EDGE
 - CSS = COUNTER SOLID SURFACE
 - CSE = PLAM COUNTER SELF EDGE
 - PLBS = FULL HEIGHT PLAM BACKSPASH
 - FD = FIELD DIMENSION

FINISH SCHEDULE

EXPOSED SURFACES

- PLT FORMICA COLORCORE #C949-90 WHITE POLISHED
- MT2 16 GAUGE (0.025) BRUSHED STAINLESS STEEL
- GL2 MC GRORY #HOKNY-270 -3/8" THICK BACK PAINTED, LOW IRON, ACID ETCHED GLASS, BEVEL AND POLISH ALL EDGES.

SEMI - EXPOSED SURFACES

- ML2 WHITE MELAMINE

SUBSTRATE

- PARTICLE BOARD
- MEDIUM DENSITY FIBERBOARD

HARDWARE SCHEDULE

- PULLS: HAFELE 124.02.220
- DRAWER SLIDES: ACCURIDE 3832
- FILE DRAWER SLIDES: ACCURIDE 4032
- MOCKETT #CPU2A - CPU HOLDER, MATTE BLACK
- MOCKETT #WM4-G SHAPED BLACK WIRE MANAGER
- GROMMET: MOCKETT #MM3-260 SATIN CHROME, 1 7/8" DIA.

EXCLUSIONS

- CREDENZA

GENERAL NOTES:

1- ALL DIMENSIONS TO BE VERIFIED IN FIELD

HATCH LEGEND

- SOLID WOOD
 - MELAMINE
 - PLAM / FLAKE
 - VENEER / FLAKE
 - VENEER / PLY
 - SOLID SURFACE
- *** INDICATES SHIPPED LOOSE

1	ARCH. BULLETIN #13 DATED 12/12/07	01/21/08	ADC
NO.	REVISION	DATE	IN

SLOAN & COMPANY, INC.

38 Fairfield Place, P.O. Box CN 2845
West Caldwell, N.J. 07007-2845
Telephone (973) 227-3555
Fax (973) 227-8731



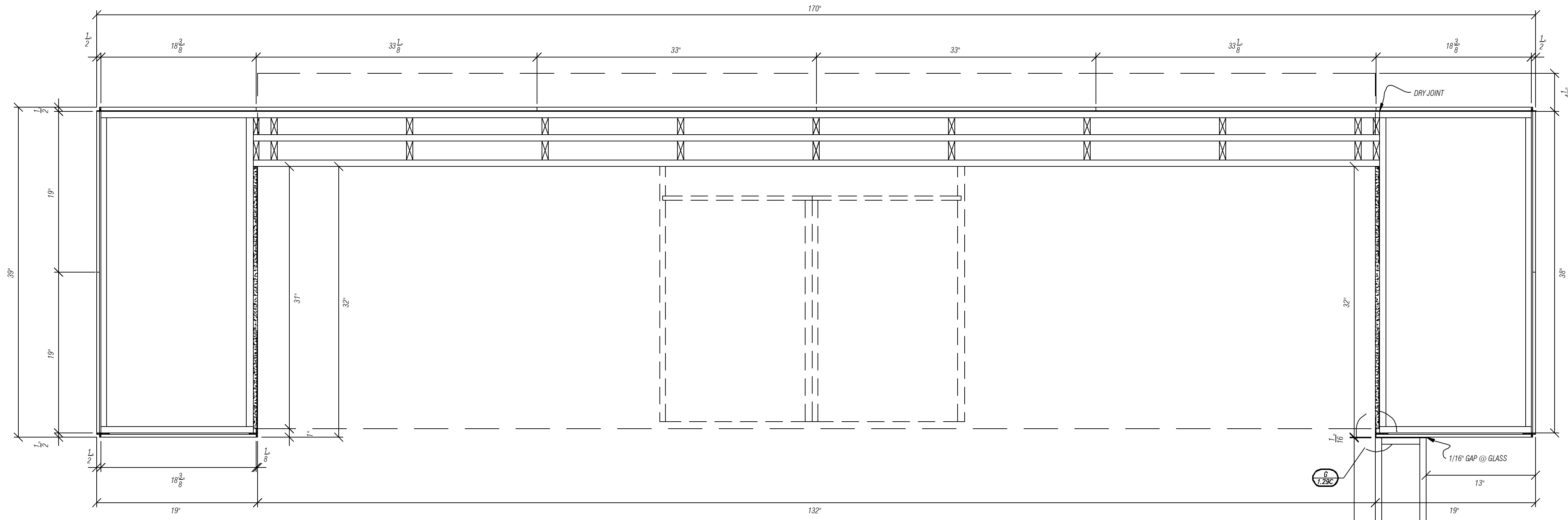
JOB NAME:
BMW HEADQUARTERS EXPANSION
WOODCLIFF LAKE, NJ

ARCHITECT: HELLMUTH, OBATA, & KASSABAUM

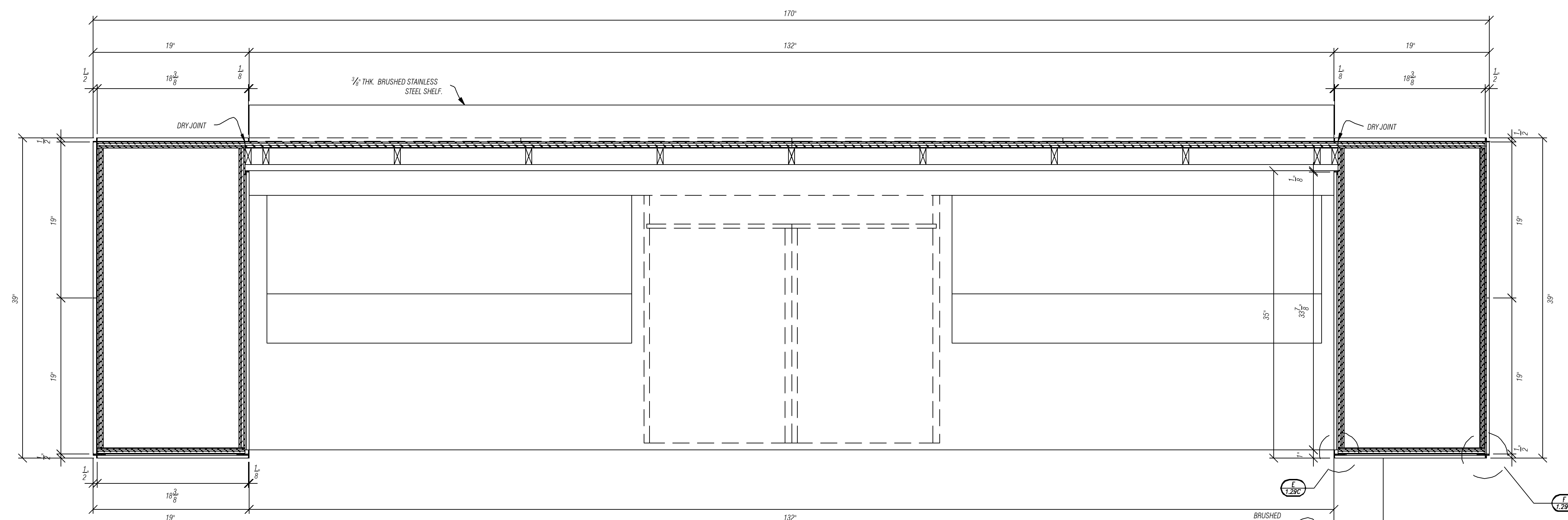
CONTRACTOR: TERMINAL CONSTRUCTION

DRAWING TITLE:
PLANS AND ELEVATIONS
LOBBY 101 - RECEPTION DESK
ITEM #29

SCALE AS NOTED	DRAWN BY ADC	APP'D. BY
DATE 03/2007	JOB # 07-008-W	DRAWING # 1.29A



2
1.29B PLAN-SECTION
SCALE: 1 1/2" = 1'-0"



3
1.29B PLAN-SECTION
SCALE: 1 1/2" = 1'-0"

- SYMBOLS
- FE = FINISHED END
 - FL = FULL PLAM LEG
 - FP = FILLER PANEL
 - OH = OVERHANG
 - WTW = WALL TO WALL
 - WTHMF = WALL TO HOLLOW METAL FRAME
 - WTC = WALL TO CORNER
 - WF = VERIFY IN FIELD
 - CWE = PLAM COUNTER WOOD EDGE
 - CSS = COUNTER SOLID SURFACE
 - CSE = PLAM COUNTER SELF EDGE
 - FLBS = FULL HEIGHT PLAM BACKSPLASH
 - FD = FIELD DIMENSION

FINISH SCHEDULE

EXPOSED SURFACES

PL7	FORMICA COLORCORE #C949-90 WHITE POLISHED
MT2	16 GAUGE (.0625) BRUSHED STAINLESS STEEL
GL2	MC GRORY #HOKNY-270 -3/8" THICK BACK PAINTED, LOW IRON, ACID ETCHED GLASS. BEVEL AND POLISH ALL EDGES.

SEMI - EXPOSED SURFACES

ML2	WHITE MELAMINE
-----	----------------

SUBSTRATE

PARTICLE BOARD
MEDIUM DENSITY FIBERBOARD

HARDWARE SCHEDULE

PULLS: HAFELE 124.02.220
DRAWER SLIDES: ACCURIDE 3832
FILE DRAWER SLIDES: ACCURIDE 4032
MOCKETT #CPU2A - CPU HOLDER, MATTE BLACK
MOCKETT#WM4-G SHAPED BLACK WIRE MANAGER
GROMMET: MOCKETT #MM3-26D SATIN CHROME, 1 7/8" DIA.

EXCLUSIONS

CREDENZA

GENERAL NOTES:

1- ALL DIMENSIONS TO BE VERIFIED IN FIELD

HATCH LEGEND

*** INDICATES SHIPPED LOOSE

1	ARCH. BULLETIN #13 DATED 12/12/07	01/21/08	ADC
NO.	REVISION	DATE	IN

SLOAN & COMPANY, INC.

38 Fairfield Place, P.O. Box CN 2845
West Caldwell, N.J. 07007-2845
Telephone (973) 227-3555
Fax (973) 227-8731



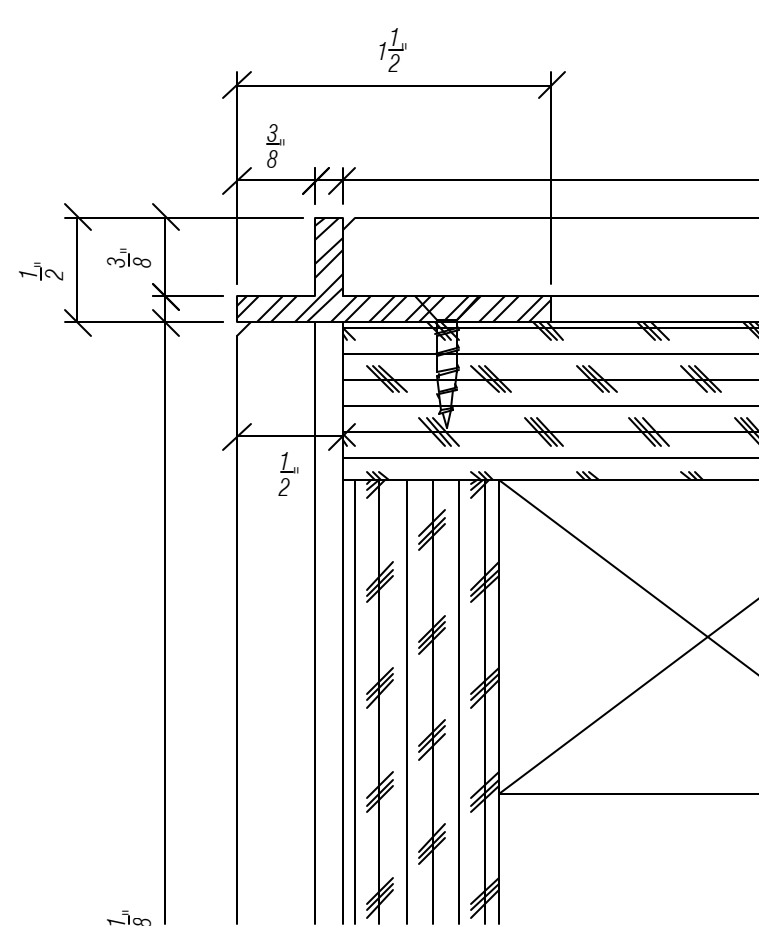
JOB NAME:
BMW HEADQUARTERS EXPANSION
WOODCLIFF LAKE, NJ

ARCHITECT: HELLMUTH, OBATA, & KASSABAUM

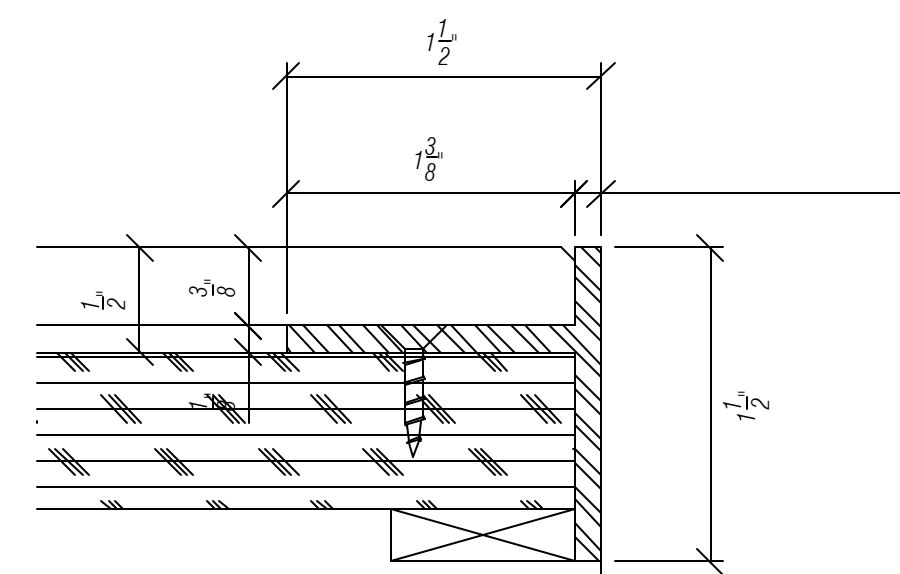
CONTRACTOR: TERMINAL CONSTRUCTION

DRAWING TITLE:
PLANS AND ELEVATIONS
LOBBY 101 - RECEPTION DESK
ITEM #29

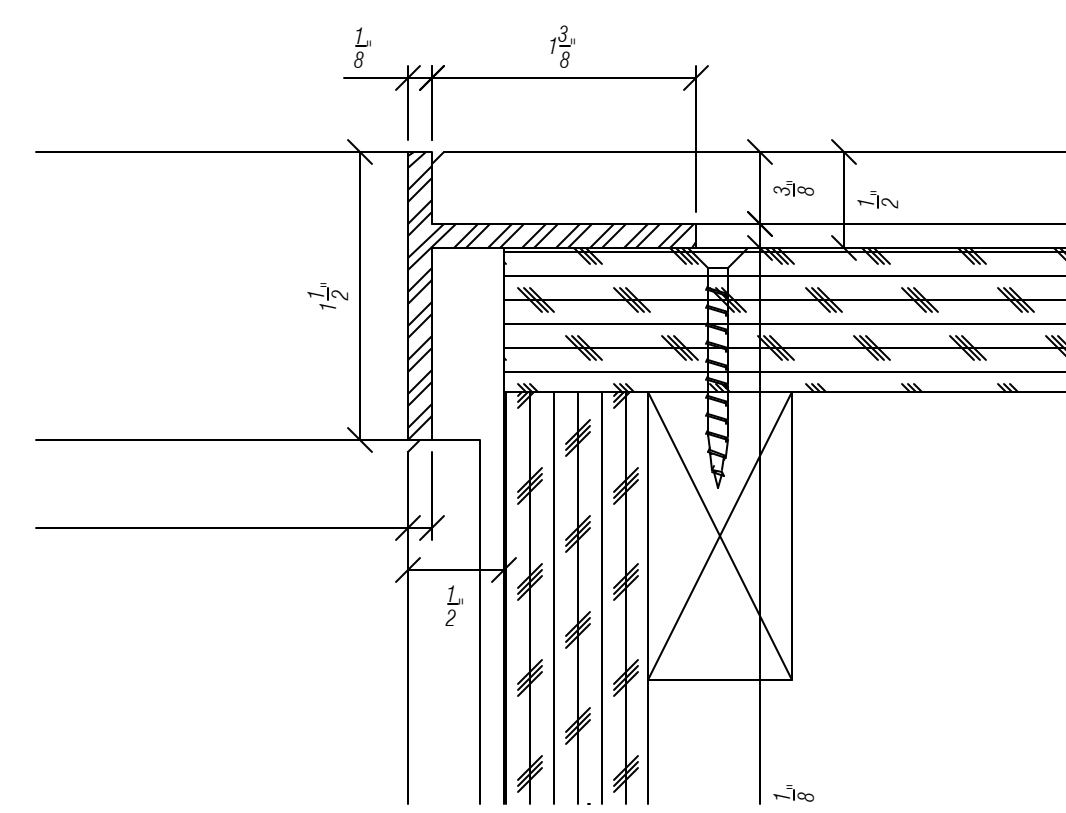
SCALE AS NOTED	DRAWN BY ADC	APP'D. BY
DATE 03/2007	JOB # 07-008-W	DRAWING # 1.29B



A SECTION
1.29C SCALE: 12" = 1'-0"

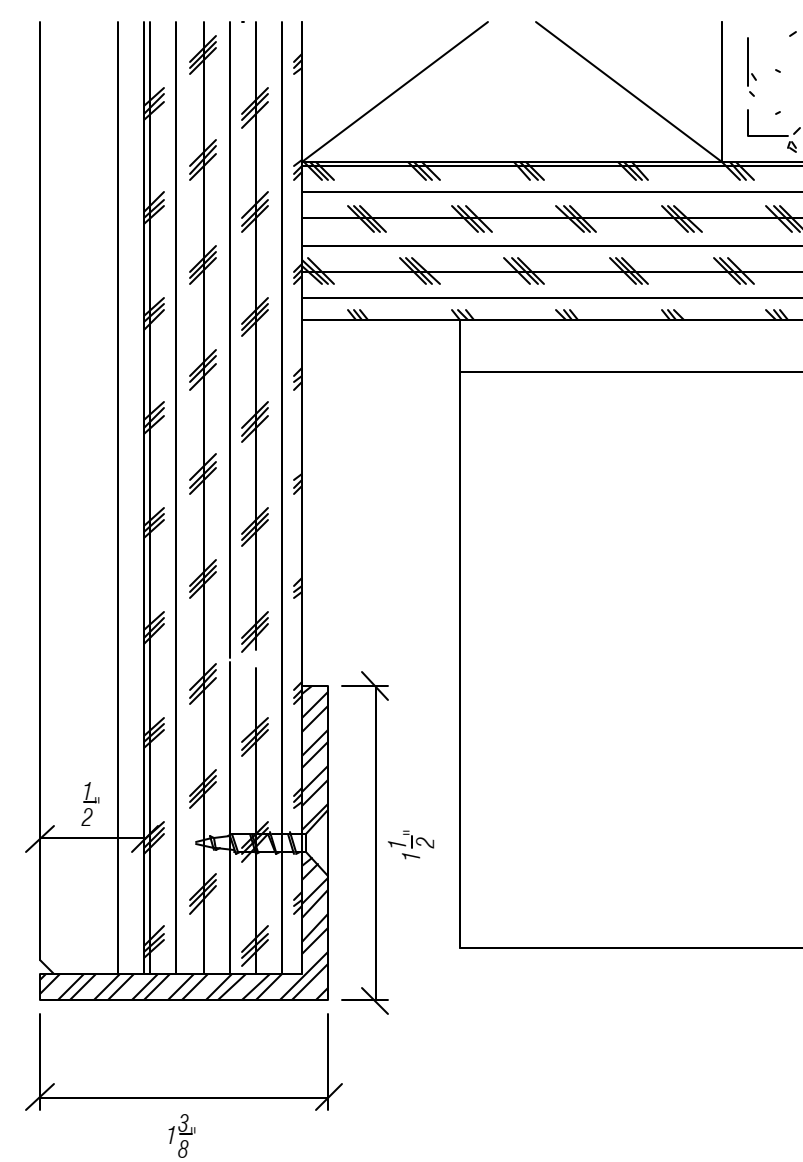


B SECTION
1.29C SCALE: 12" = 1'-0"

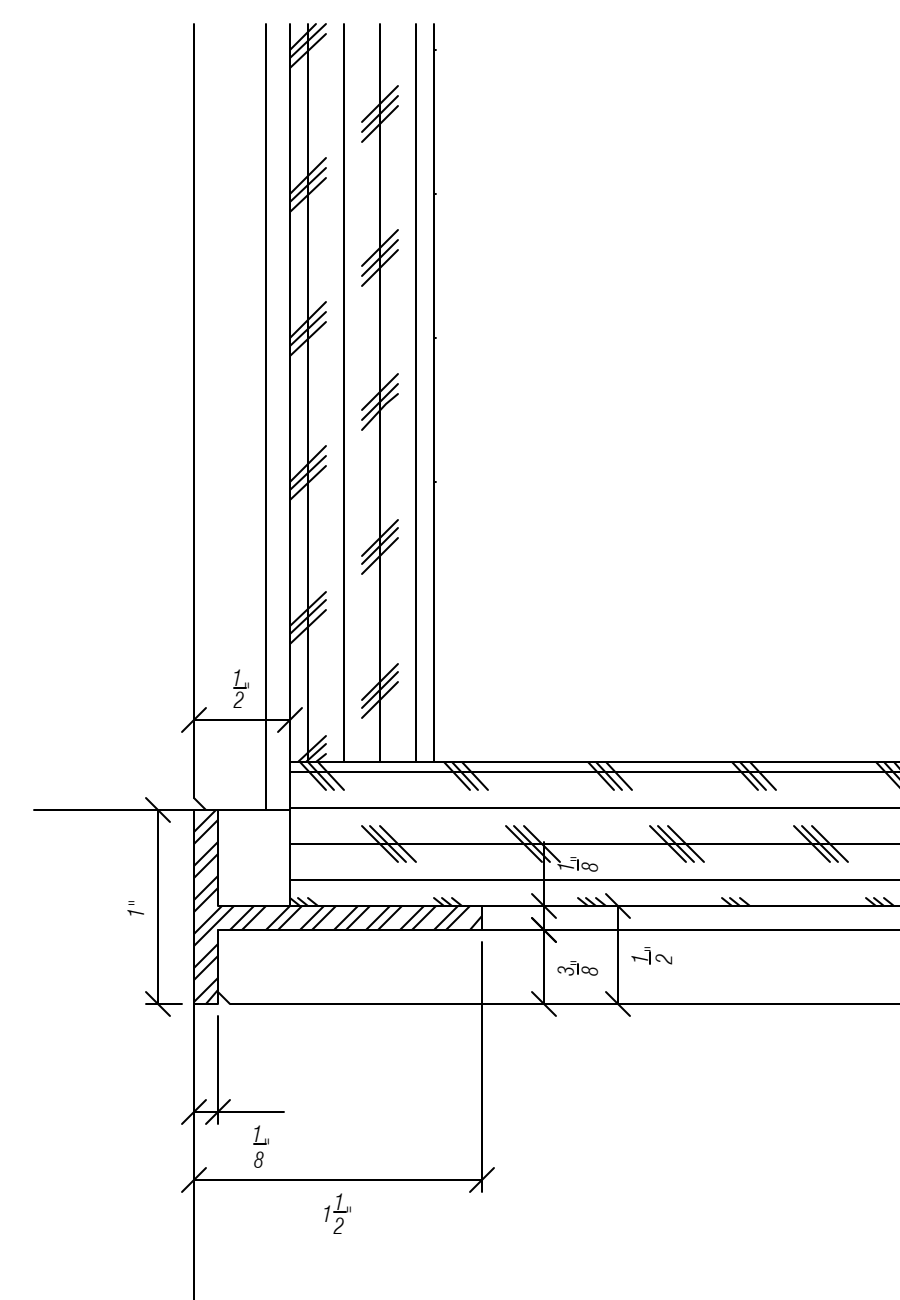


C SECTION
1.29C SCALE: 12" = 1'-0"

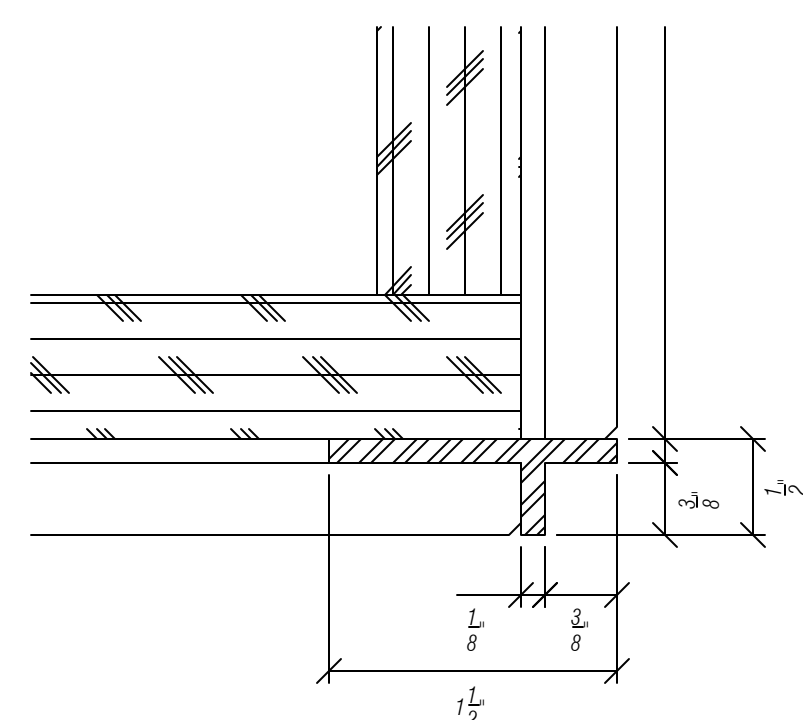
- SYMBOLS**
- FE = FINISHED END
 - FL = FULL PLAM LEG
 - FP = FILLER PANEL
 - OH = OVERHANG
 - WTW = WALL TO WALL
 - WTHMF = WALL TO HOLLOW METAL FRAME
 - WTC = WALL TO CORNER
 - WF = VERIFY IN FIELD
 - CWE = PLAM COUNTER WOOD EDGE
 - CSS = COUNTER SOLID SURFACE
 - CSE = PLAM COUNTER SELF EDGE
 - FLBS = FULL HEIGHT PLAM BACKSPLASH
 - FD = FIELD DIMENSION



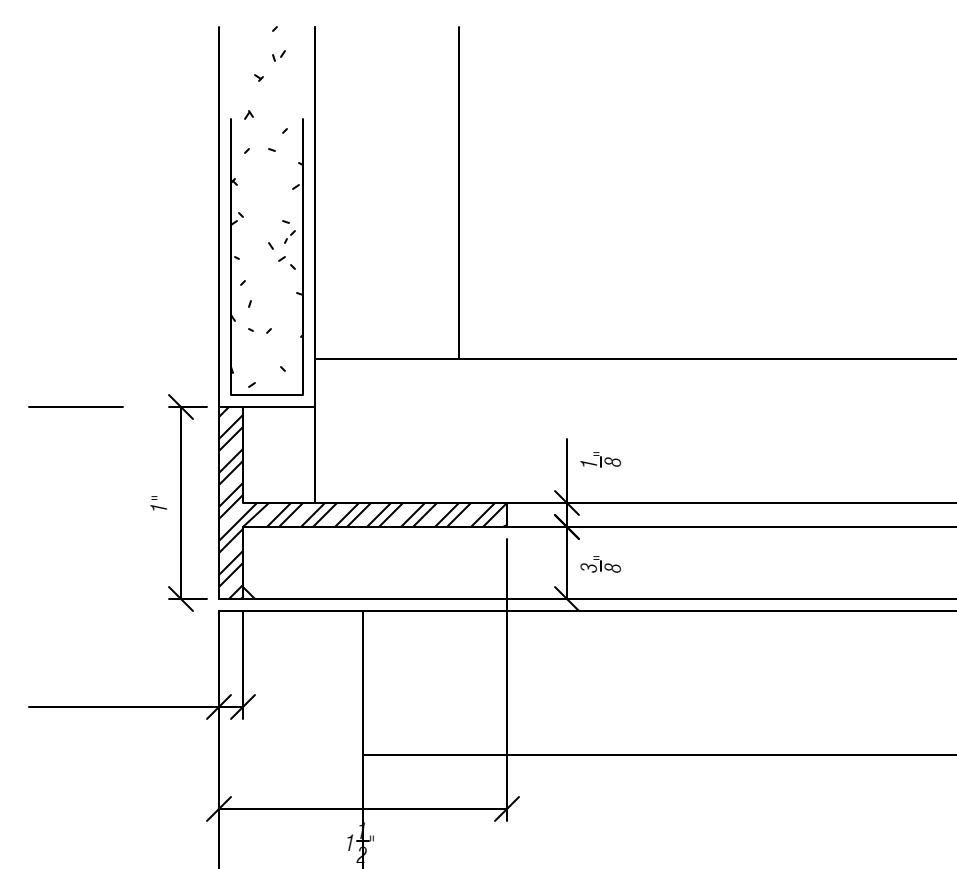
D SECTION
1.29C SCALE: 12" = 1'-0"



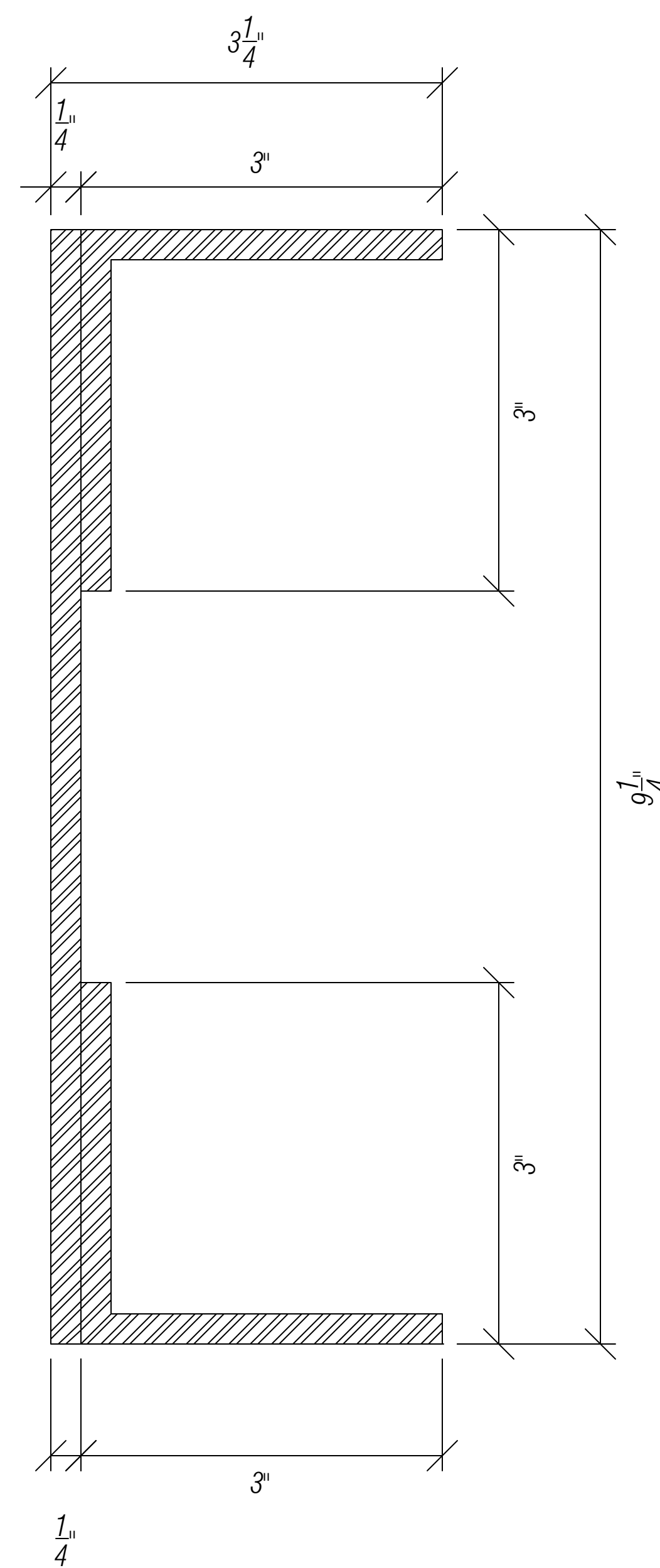
E SECTION
1.29C SCALE: 12" = 1'-0"



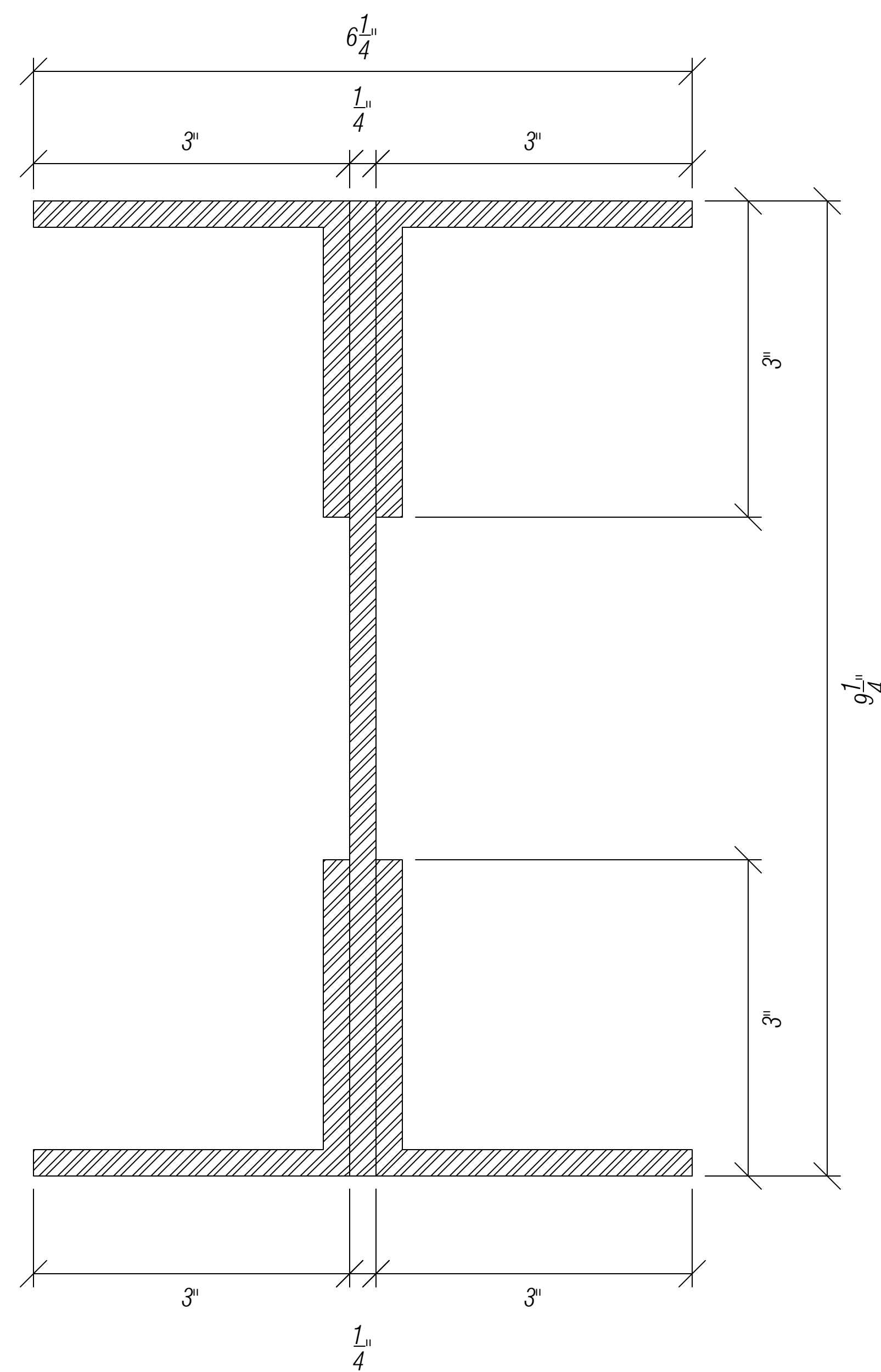
F SECTION
1.29C SCALE: 12" = 1'-0"



G SECTION
1.29C SCALE: 12" = 1'-0"



H SECTION
1.29C SCALE: 12" = 1'-0"



J SECTION
1.29C SCALE: 12" = 1'-0"

FINISH SCHEDULE

EXPOSED SURFACES

- PL7 FORMICA COLORCORE #C949-90 WHITE POLISHED
- MT2 16 GAUGE (.0625) BRUSHED STAINLESS STEEL
- GL2 MC GORRY #HOKNY-270 3/8" THICK BACK PAINTED, LOW IRON, ACID ETCHED GLASS, BEVEL AND POLISH ALL EDGES.

SEMI - EXPOSED SURFACES

- ML2 WHITE MELAMINE

SUBSTRATE

- PARTICLE BOARD
- MEDIUM DENSITY FIBERBOARD

HARDWARE SCHEDULE

- PULLS: HAFELE 124.02.220
- DRAWER SLIDES: ACCURIDE 3832
- FILE DRAWER SLIDES: ACCURIDE 4032
- MOCKETT #CPU2A - CPU HOLDER, MATTE BLACK
- MOCKETT#WM4-G SHAPED BLACK WIRE MANAGER
- GROMMET: MOCKETT #MM3-26D SATIN CHROME, 1 7/8" DIA.

EXCLUSIONS

CREDENZA

GENERAL NOTES:

1- ALL DIMENSIONS TO BE VERIFIED IN FIELD

HATCH LEGEND

- SOLID WOOD
 - MELAMINE
 - PLAM / FLAKE
 - VENEER / FLAKE
 - VENEER / PLY
 - SOLID SURFACE
- *** INDICATES SHIPPED LOOSE

1	ARCH. BULLETIN #13 DATED 12/12/07	01/21/08	ADC
NO.	REVISION	DATE	IN

SLOAN & COMPANY, INC.

38 Fairfield Place, P.O. Box CN 2845
West Caldwell, N.J. 07007-2845
Telephone (973) 227-3555
Fax (973) 227-8731



JOB NAME:
BMW HEADQUARTERS EXPANSION
WOODCLIFF LAKE, NJ

ARCHITECT: HELLMUTH, OBATA, & KASSABAUM

CONTRACTOR: TERMINAL CONSTRUCTION

DRAWING TITLE:
PLANS AND ELEVATIONS
LOBBY 101 - RECEPTION DESK
ITEM #29

SCALE AS NOTED	DRAWN BY ADC	APP'D. BY
DATE 03/2007	JOB # 07-008-W	DRAWING # 1.29C