

REVISIONS	BY

CREATIVE DIMENSION GROUP  
 4950 QUALITY DRIVE  
 FREDERICKSBURG, VA 22408  
 TEL: (540) 891-1953  
 FAX: (540) 891-2169

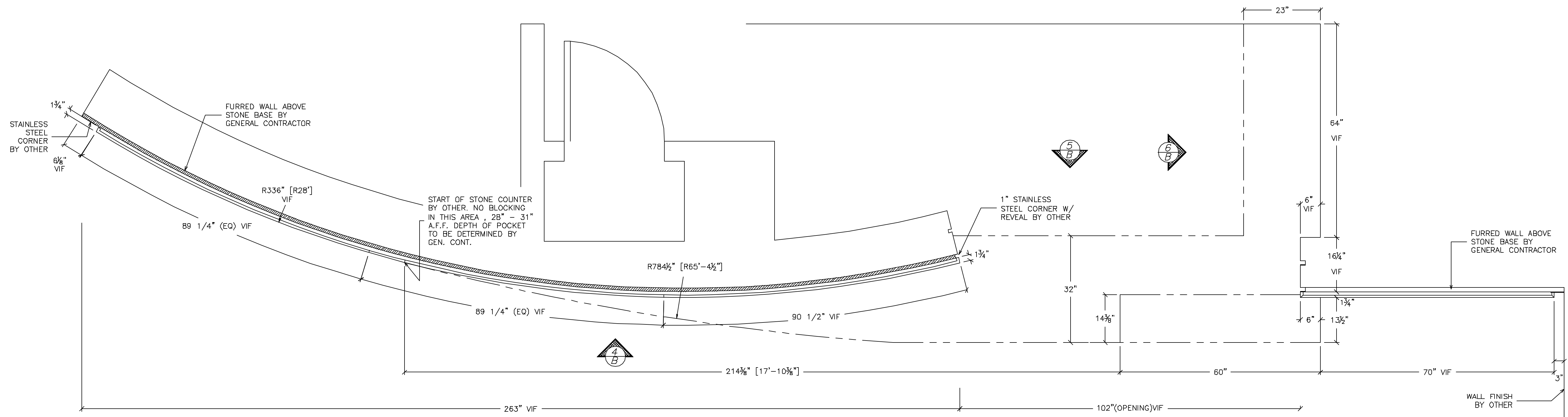


1331 L STREET, NW  
 WASHINGTON, DC

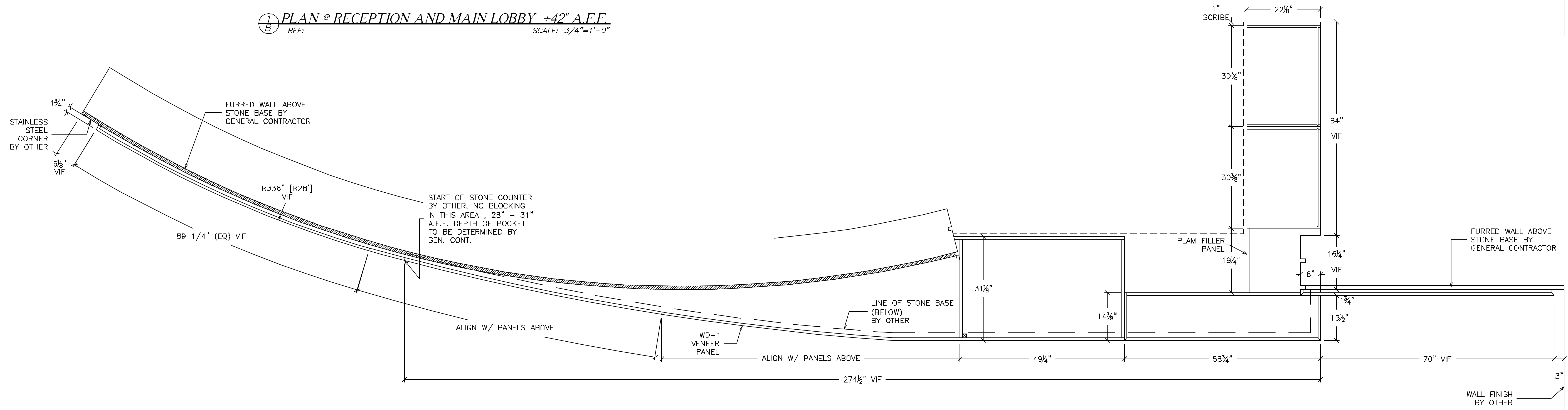
MEMBER OF  
**AWI**  
 ARCHITECTURAL  
 WOODWORK  
 INSTITUTE

DRAWN A. COATES	
APPROVED PROJ. MGR.	DATE
APPROVED PROD. MGR.	DATE
DATE 9/13/07	
SCALE AS NOTED	
JOB NO. S573	
DRAWING SET NO. FIRST SUBMITTAL	

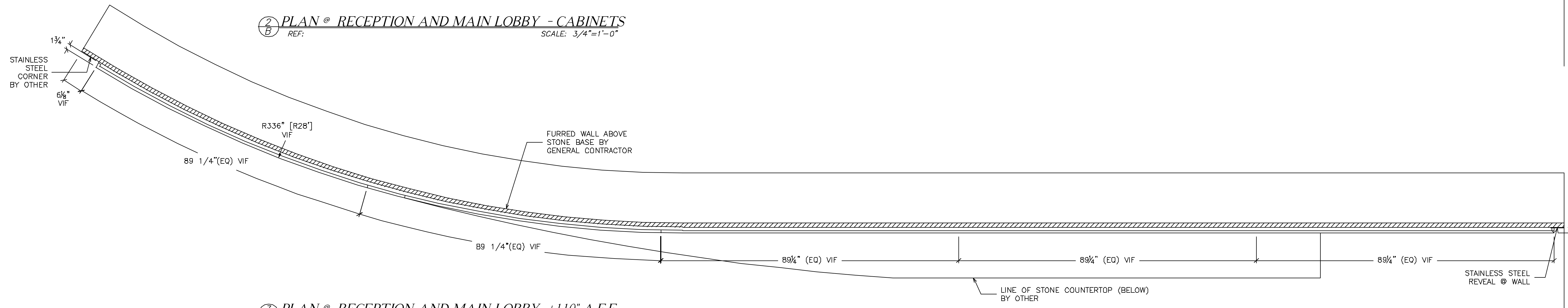
SHEET  
**B**  
 01 OF 04



1 PLAN @ RECEPTION AND MAIN LOBBY +42" A.F.F.  
 REF: SCALE: 3/4"=1'-0"



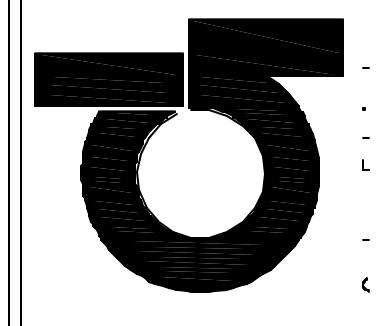
2 PLAN @ RECEPTION AND MAIN LOBBY - CABINETS  
 REF: SCALE: 3/4"=1'-0"



3 PLAN @ RECEPTION AND MAIN LOBBY +110" A.F.F.  
 REF: SCALE: 3/4"=1'-0"

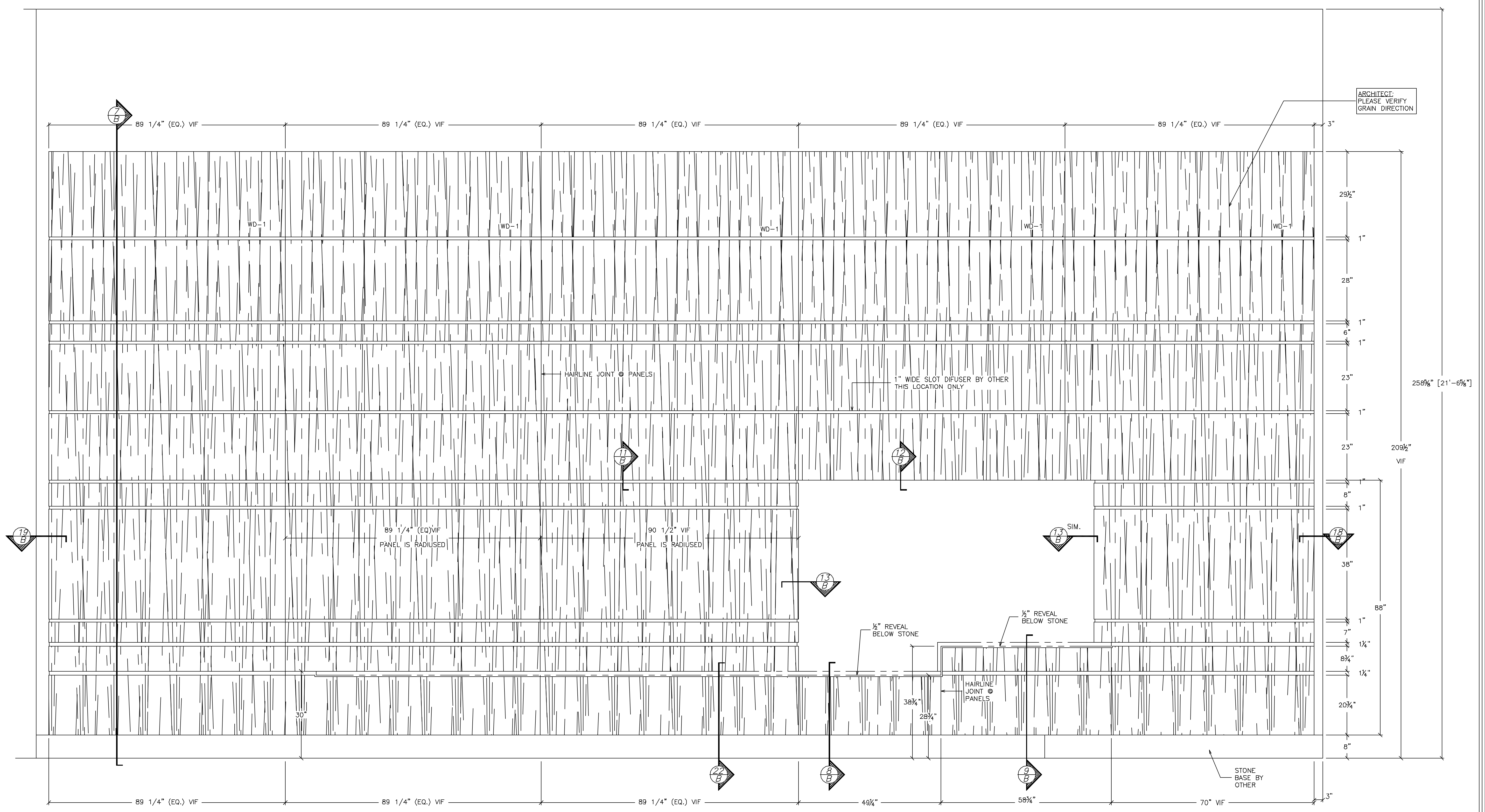
REVISIONS	BY

CREATIVE DIMENSION GROUP  
 4950 QUALITY DRIVE  
 FREDERICKSBURG, VA 22408  
 TEL: (540) 891-1953  
 FAX: (540) 891-2169

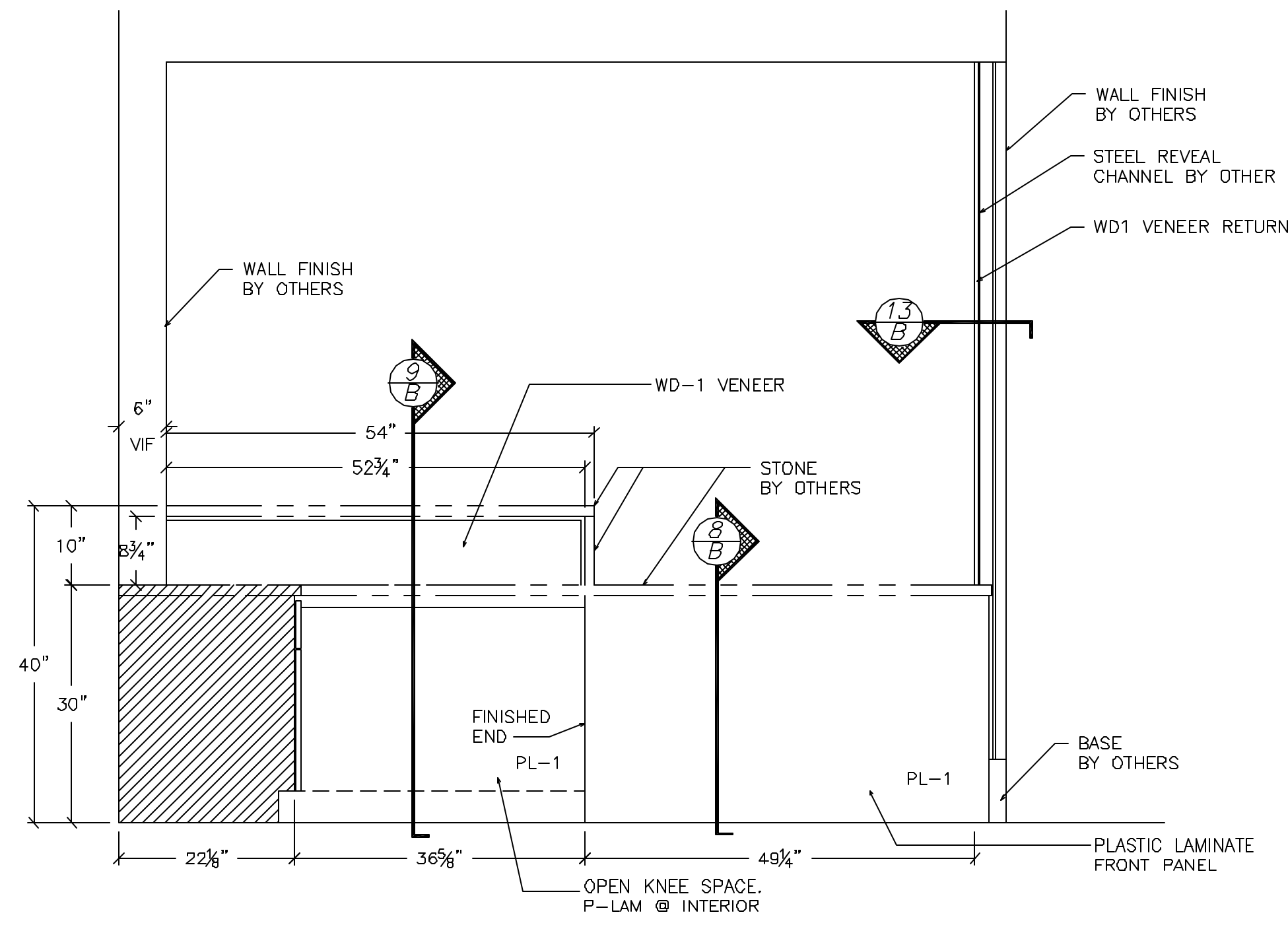


1331 L STREET, NW  
 WASHINGTON, DC

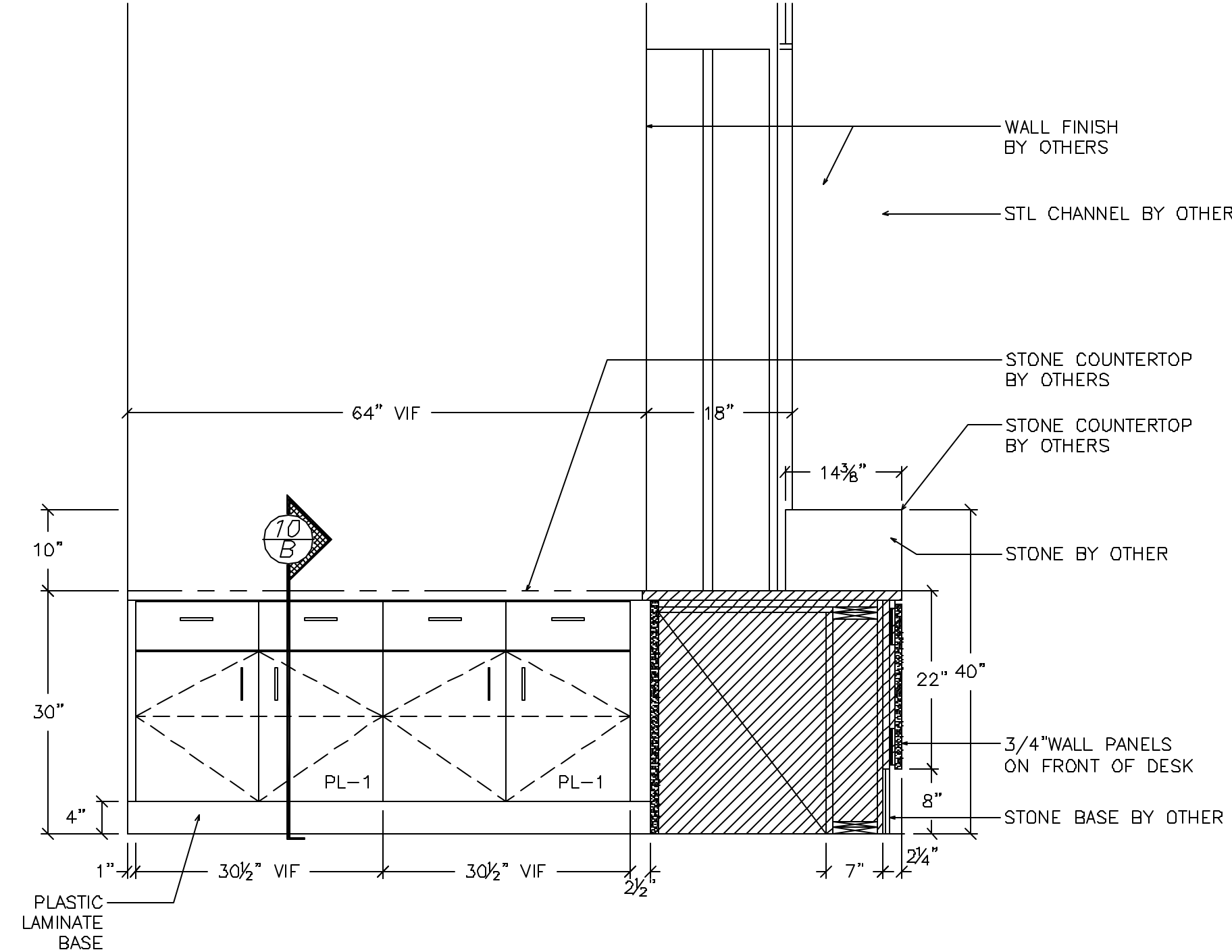
MEMBER OF <b>AWI</b> ARCHITECTURAL WOODWORK INSTITUTE	
DRAWN A. COATES	
APPROVED PROJ. MGR.	DATE
APPROVED PROD. MGR.	DATE
DATE 9/13/07	
SCALE AS NOTED	
JOB NO. 3573	
DRAWING SET NO. FIRST SUBMITTAL	
SHEET <b>B</b>	
02 OF 04	



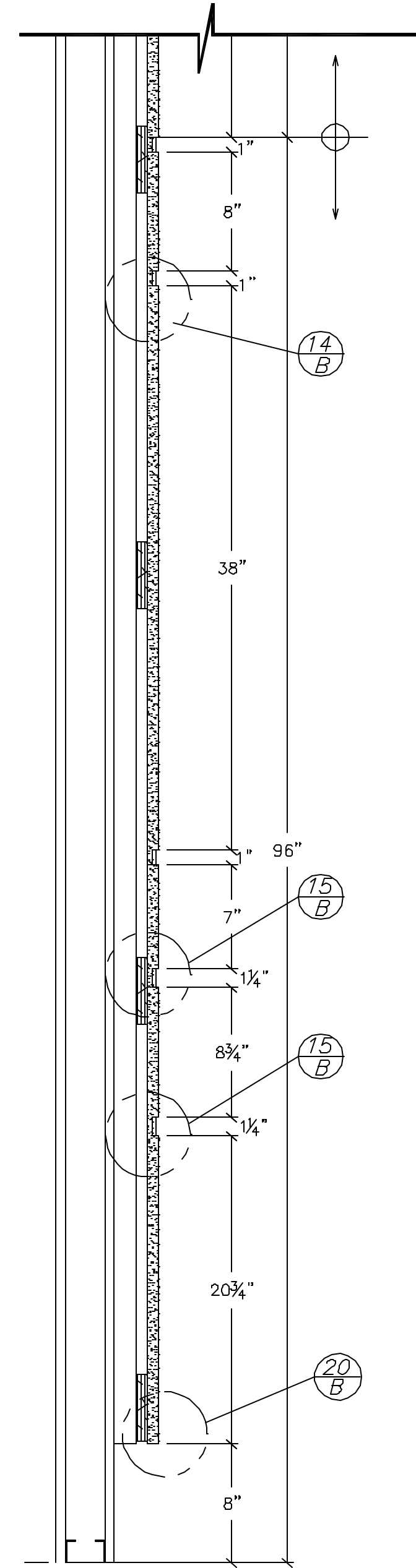
**ELEVATION- MAIN LOBBY RECEPTION**  
 REF: 7/A-13.02 SCALE 3/4" = 1'



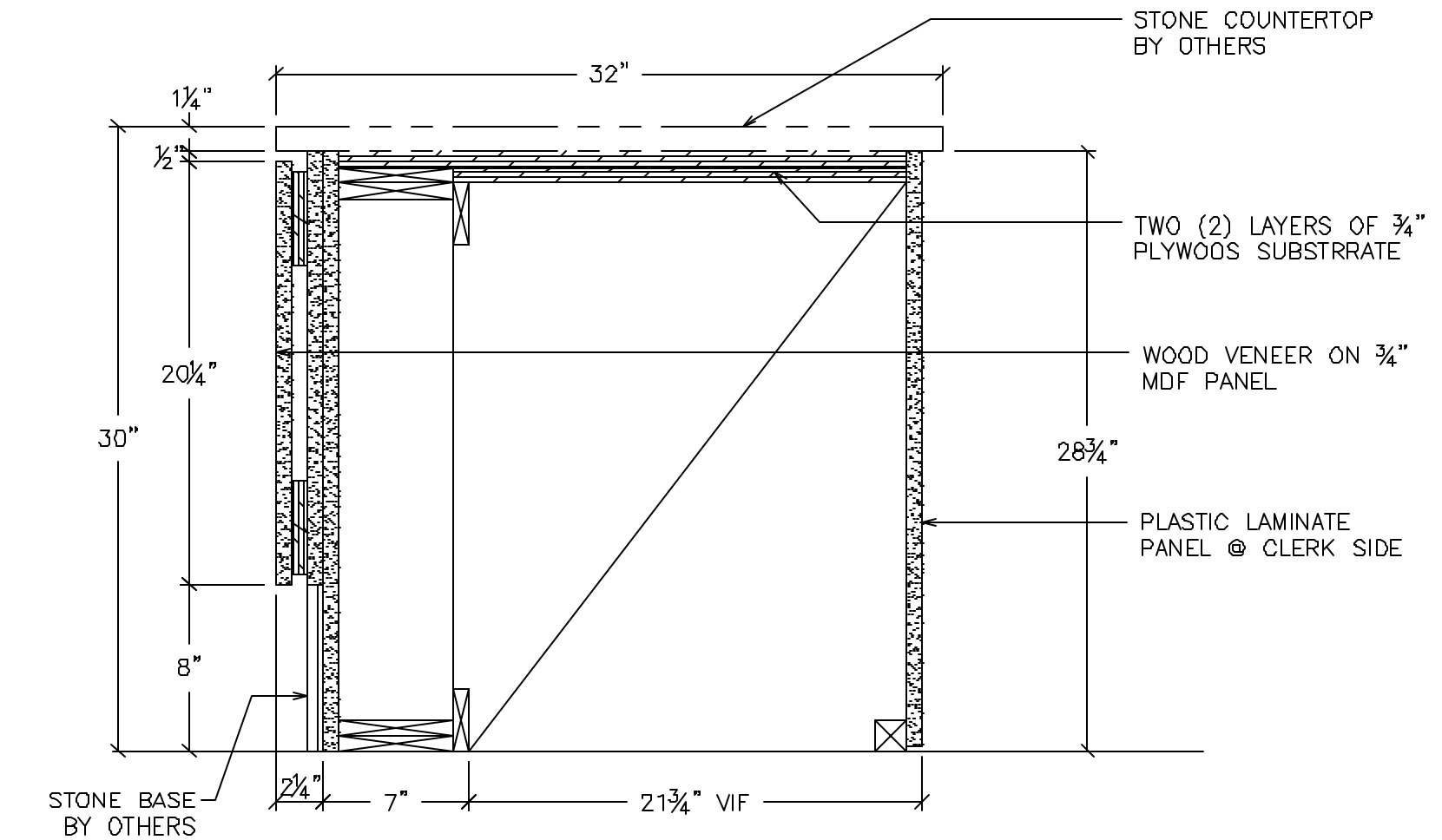
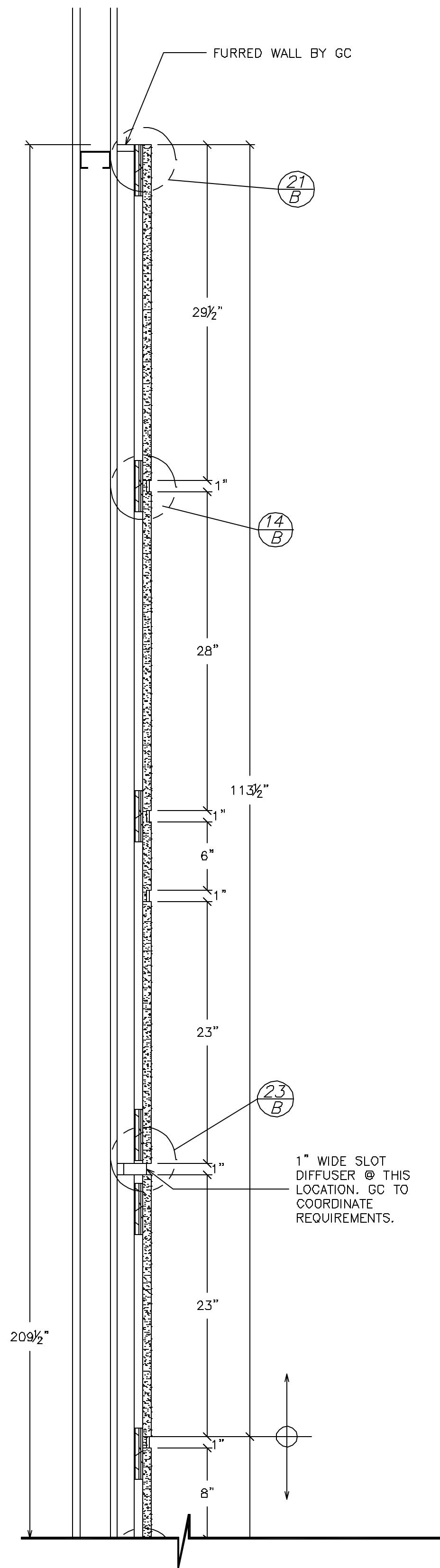
5 ELEVATION-RECEPTION WEST  
REF: SCALE 3/4" = 1'



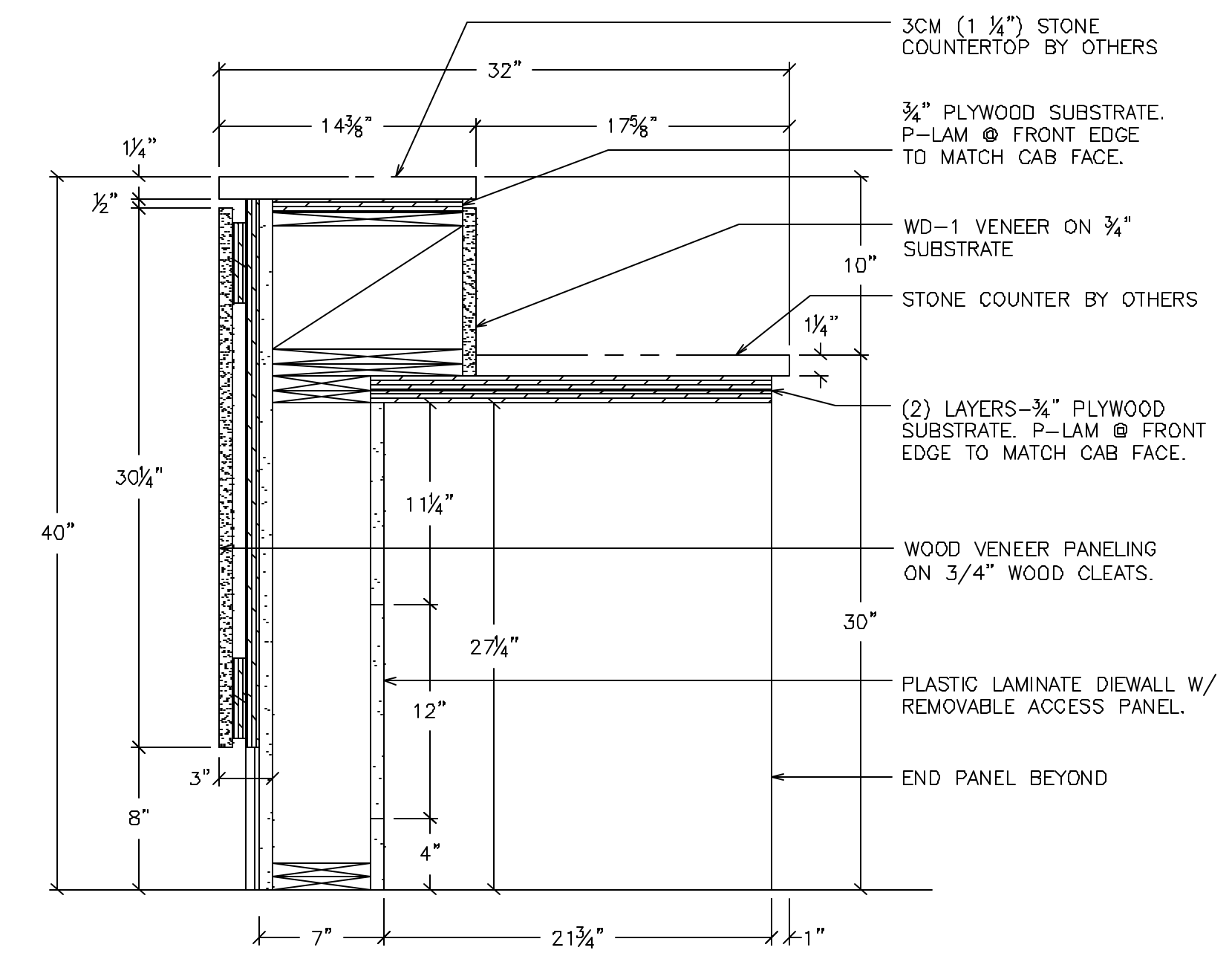
6 ELEVATION-RECEPTION SOUTH  
REF: SCALE 3/4" = 1'



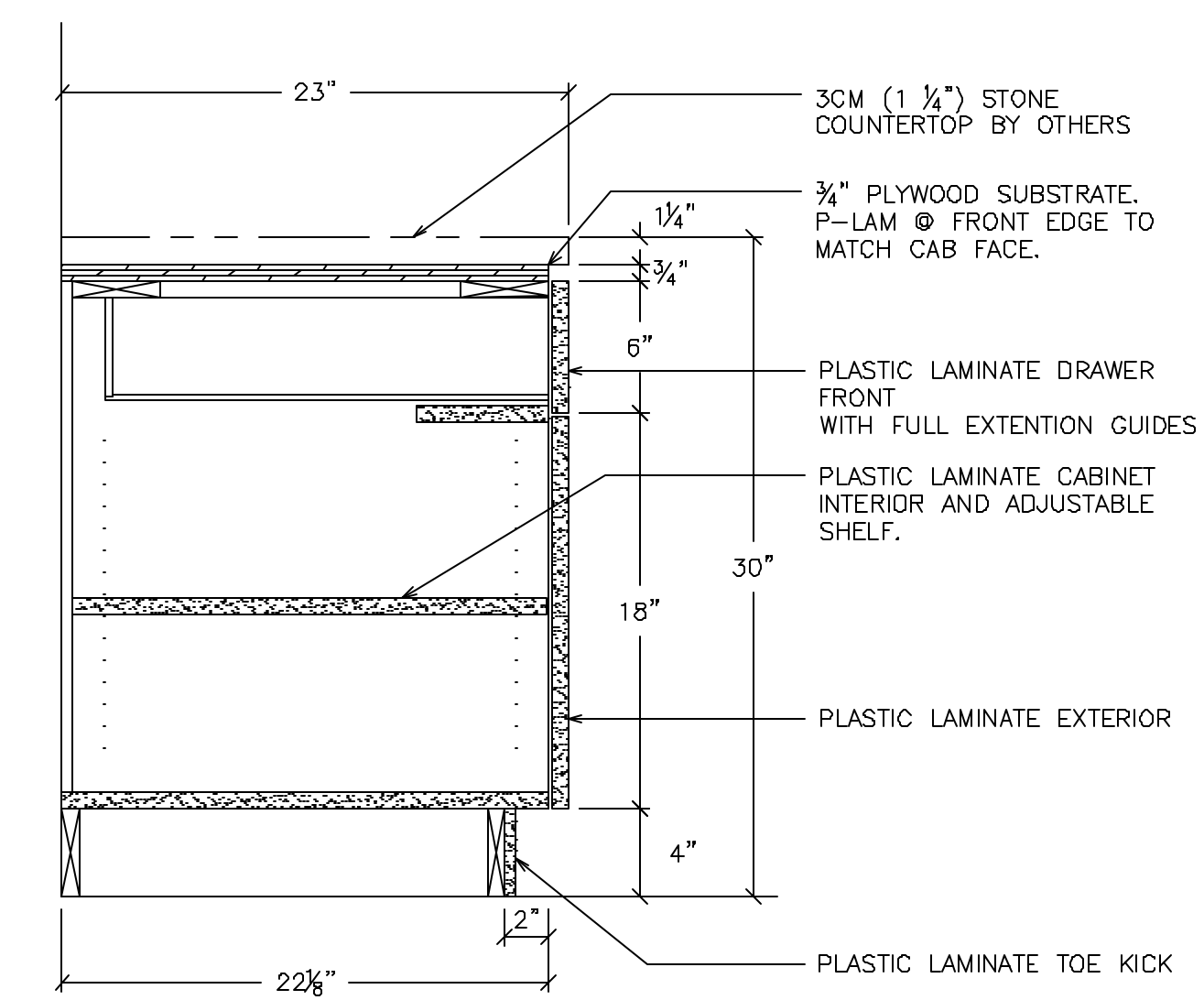
7 SECTION AT PANELING  
REF: SCALE 1 1/2" = 1'



8 SECTION AT PANELING  
REF: SCALE 1 1/2" = 1'



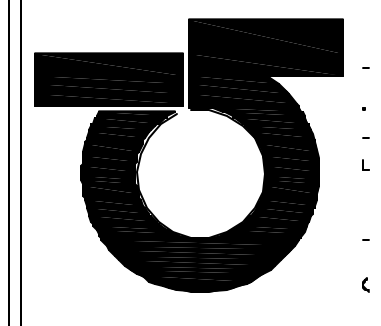
9 SECTION AT PANELING  
REF: SCALE 1 1/2" = 1'



10 SECTION AT PANELING  
REF: SCALE 1 1/2" = 1'

REVISIONS	BY

CREATIVE DIMENSION GROUP  
4950 QUALITY DRIVE  
FREDERICKSBURG, VA 22408  
TEL: (540) 891-1953  
FAX: (540) 891-2169

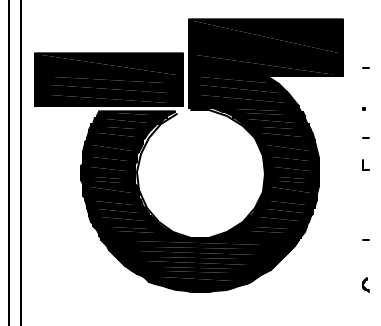


1331 L STREET, NW  
WASHINGTON, DC

MEMBER OF <b>AWI</b> ARCHITECTURAL WOODWORK INSTITUTE	
DRAWN A. COATES	
APPROVED PROJ. MGR.	DATE
APPROVED PROD. MGR.	DATE
DATE 9/13/07	
SCALE AS NOTED	
JOB NO. 3573	
DRAWING SET NO. FIRST SUBMITTAL	
SHEET <b>B</b>	
03 OF 04	

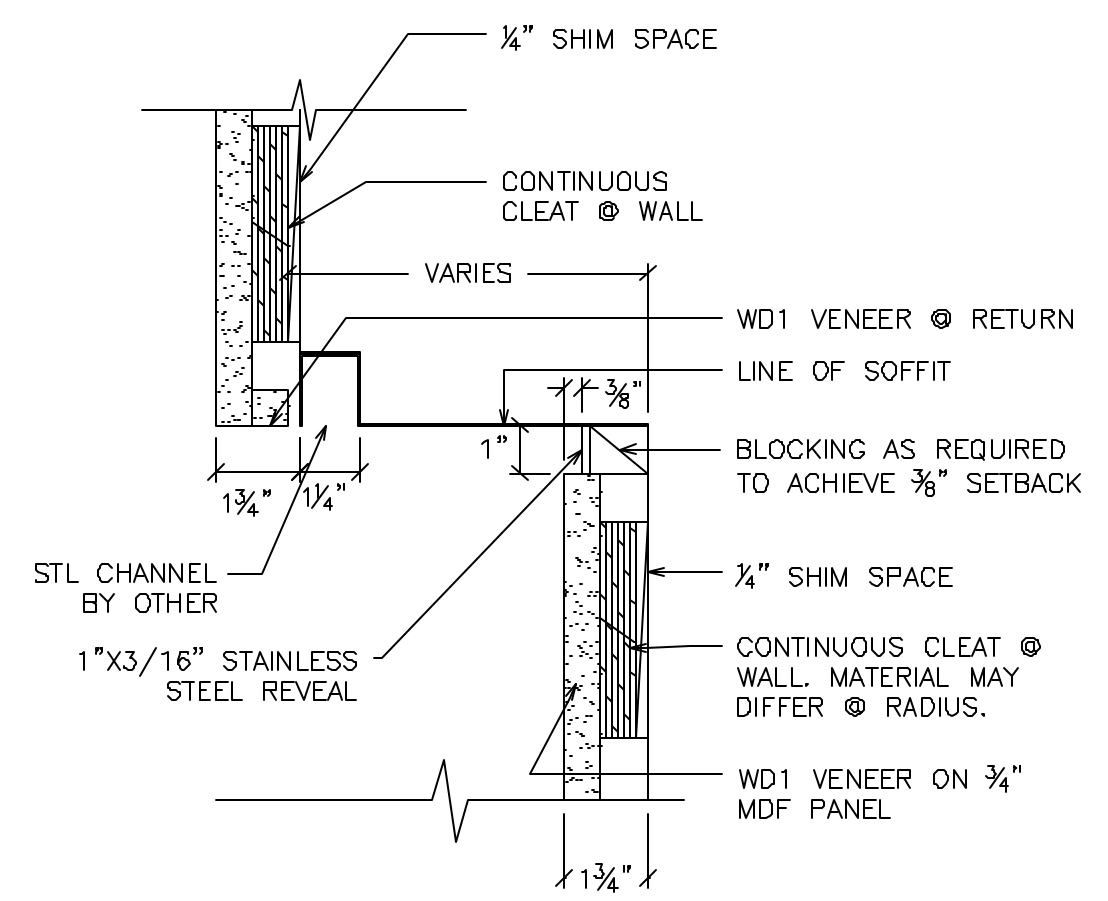
REVISIONS	BY

CREATIVE DIMENSION GROUP  
 4950 QUALITY DRIVE  
 FREDERICKSBURG, VA 22408  
 TEL: (540) 891-1953  
 FAX: (540) 891-2169

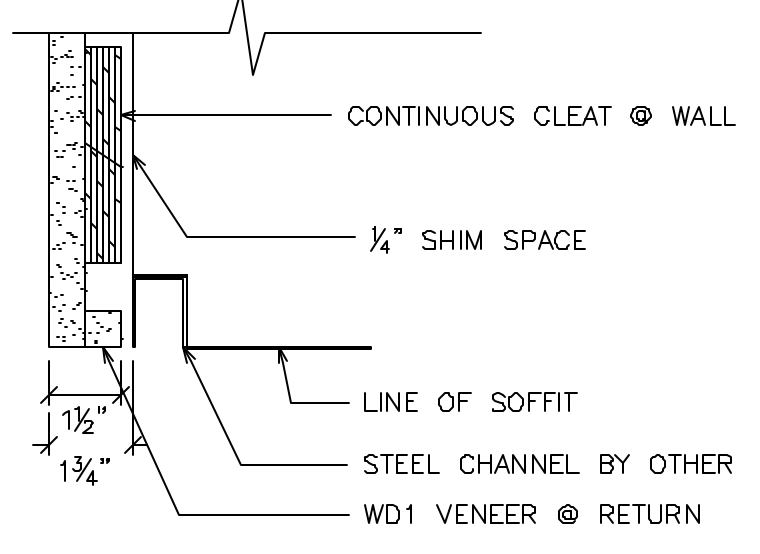


1331 L STREET, NW  
 WASHINGTON, DC

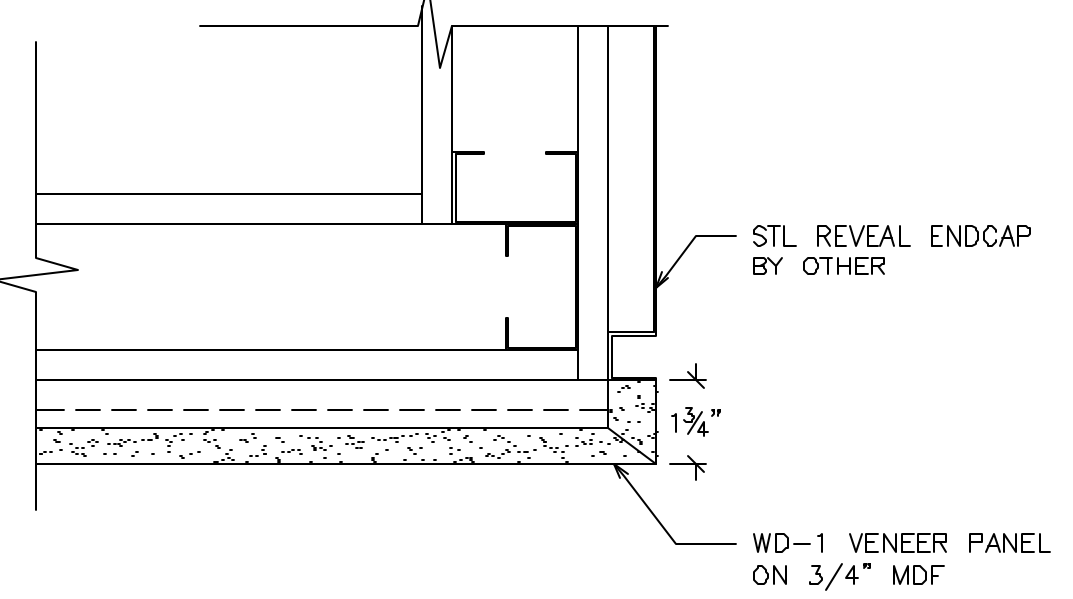
MEMBER OF <b>AWI</b> ARCHITECTURAL WOODWORK INSTITUTE	
DRAWN A. COATES	
APPROVED PROJ. MGR.	DATE
APPROVED PROD. MGR.	DATE
DATE 9/13/07	
SCALE AS NOTED	
JOB NO. S573	
DRAWING SET NO. FIRST SUBMITTAL	
SHEET <b>B</b>	
04 OF 04	



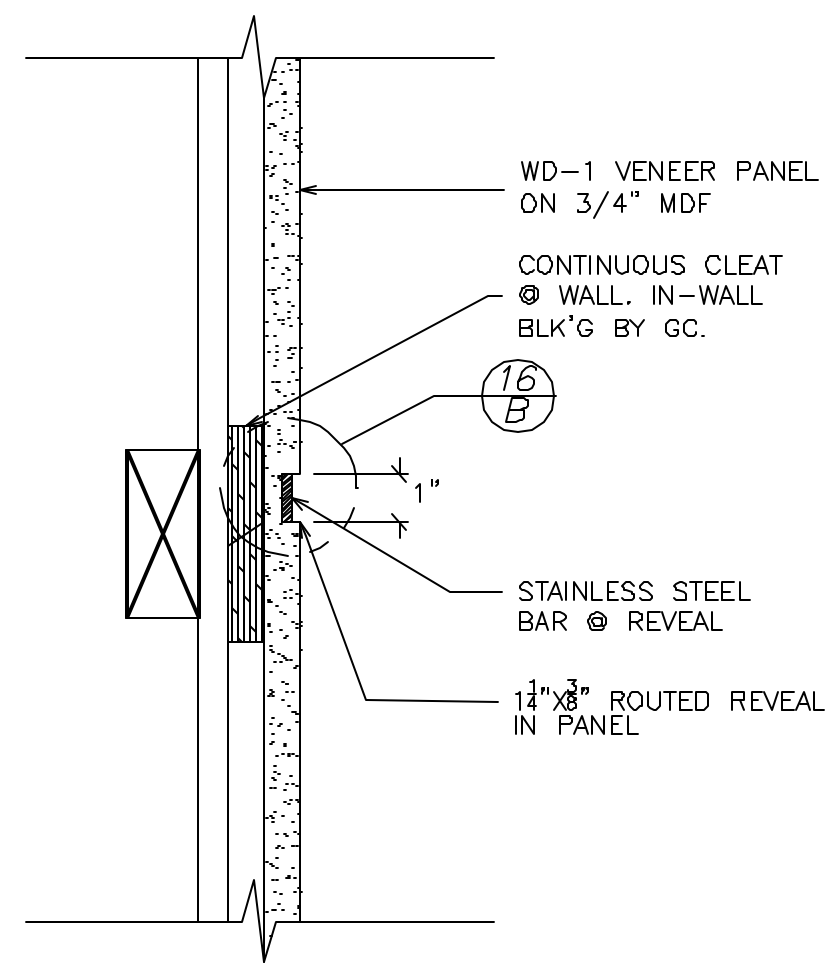
**11** DETAIL AT PANELING  
 REF: SCALE: 3" = 1'-0"



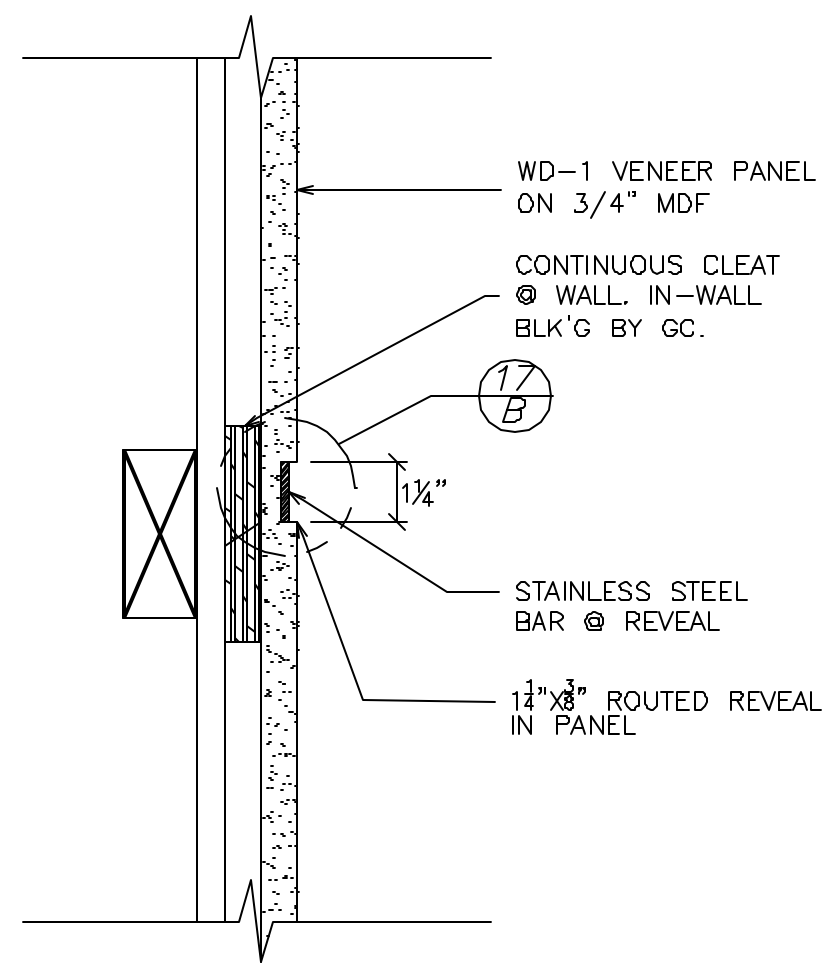
**12** DETAIL AT PANELING  
 REF: SCALE: 3" = 1'-0"



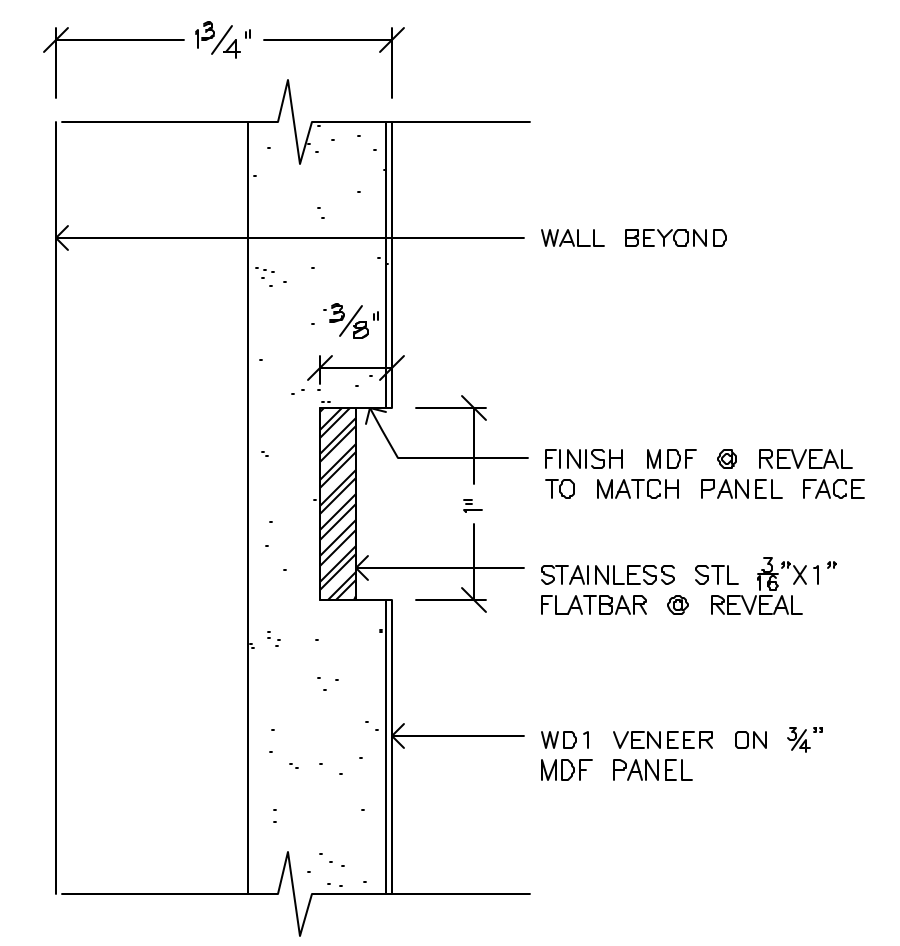
**13** DETAIL AT PANELING  
 REF: SCALE: 3" = 1'-0"



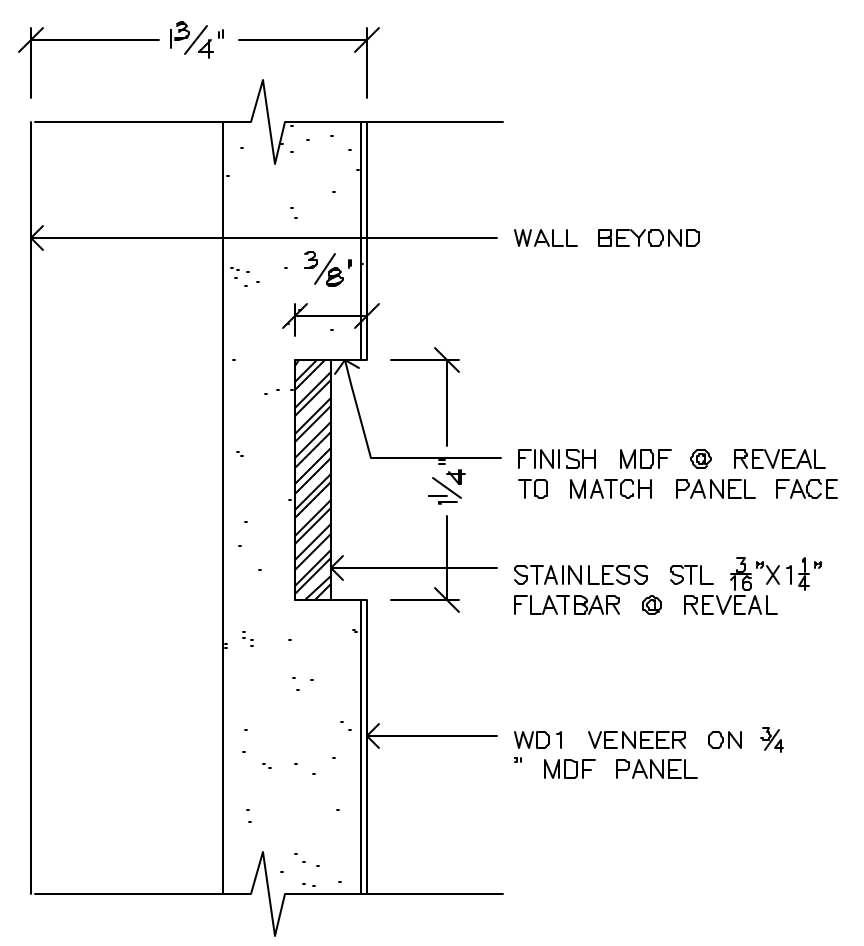
**14** DETAIL AT PANELING  
 REF: SCALE: 3" = 1'-0"



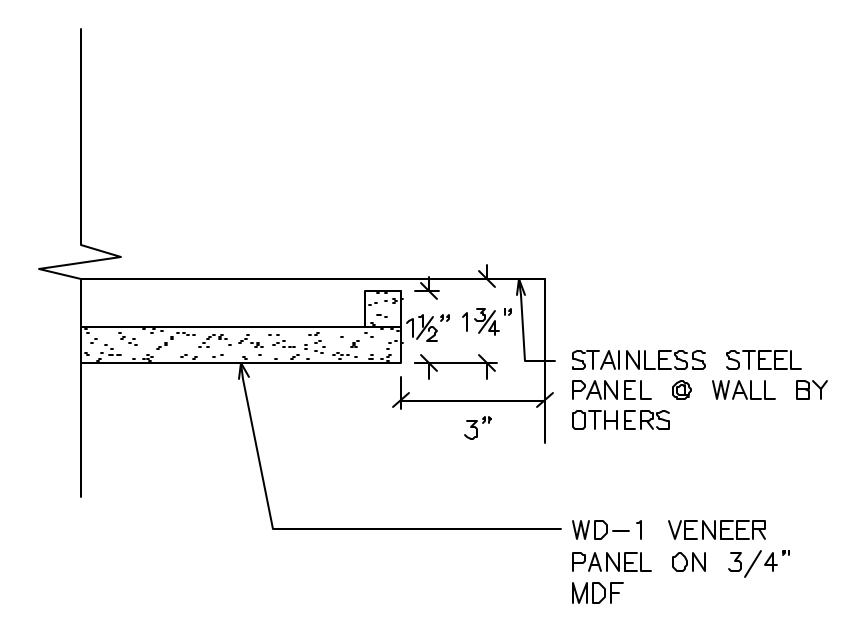
**15** DETAIL AT PANELING  
 REF: SCALE: 3" = 1'-0"



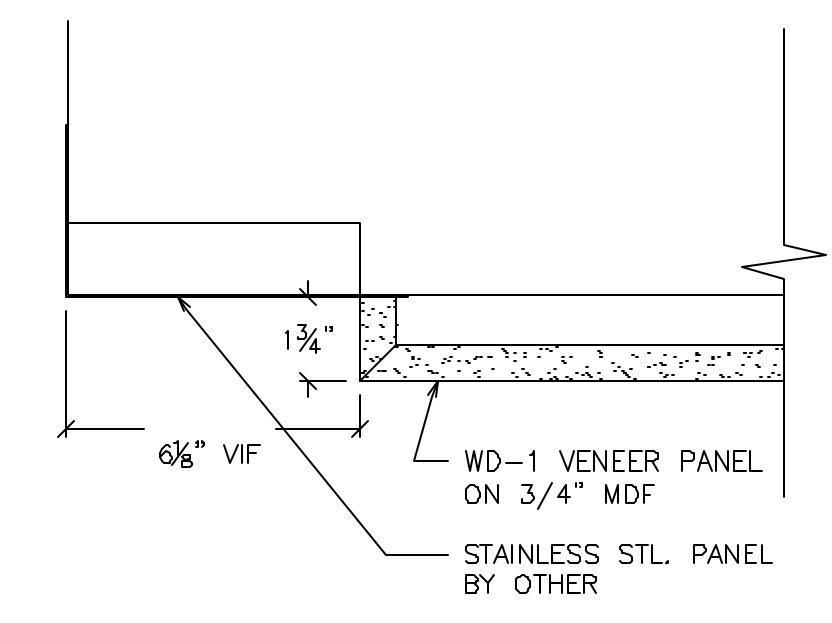
**16** DETAIL AT PANELING  
 REF: SCALE: 12" = 1'-0"



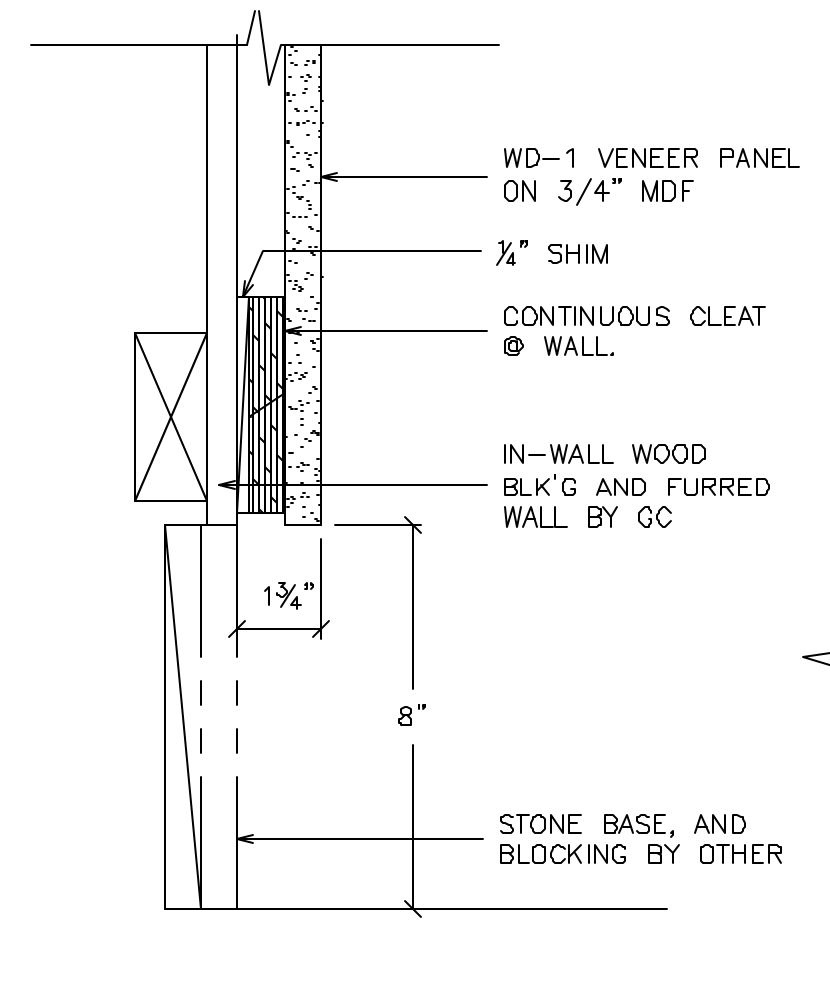
**17** DETAIL AT PANELING  
 REF: SCALE: 12" = 1'-0"



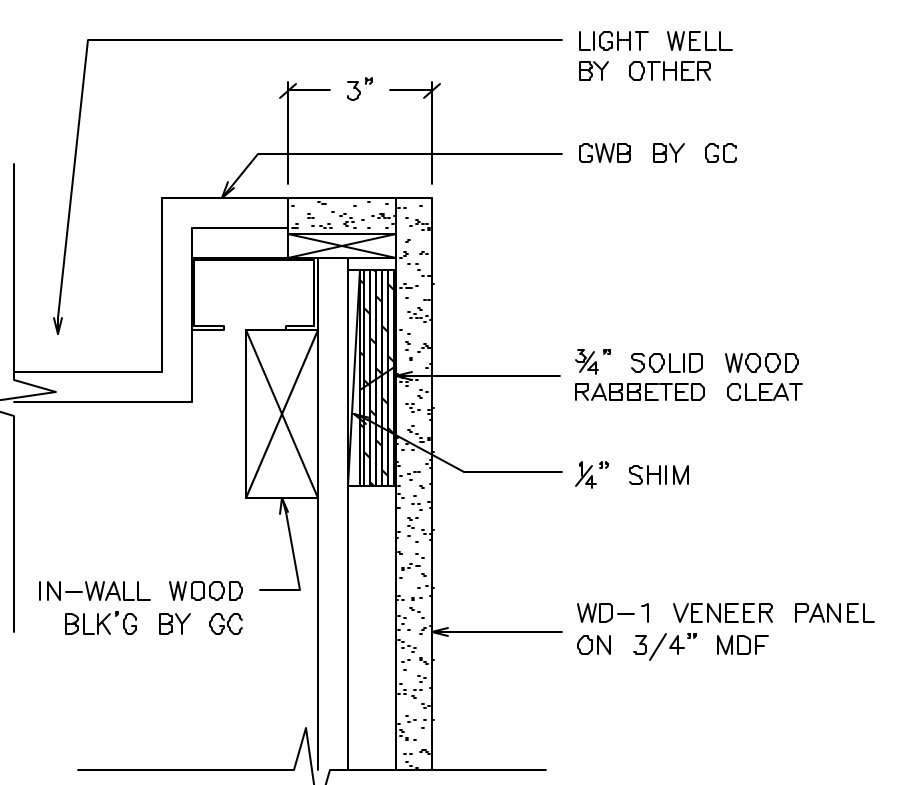
**18** DETAIL AT PANELING  
 REF: SCALE: 3" = 1'-0"



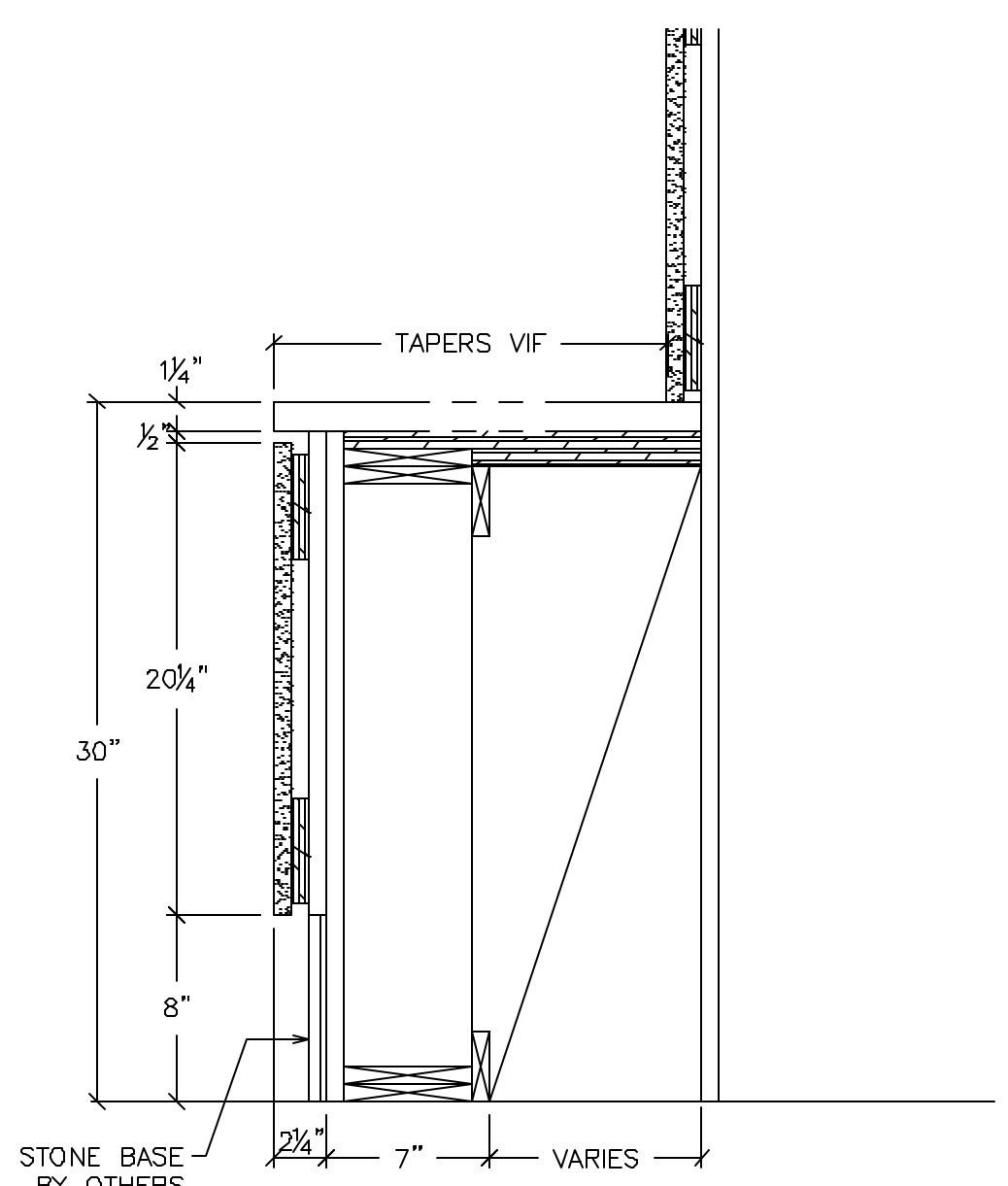
**19** DETAIL AT PANELING  
 REF: SCALE: 3" = 1'-0"



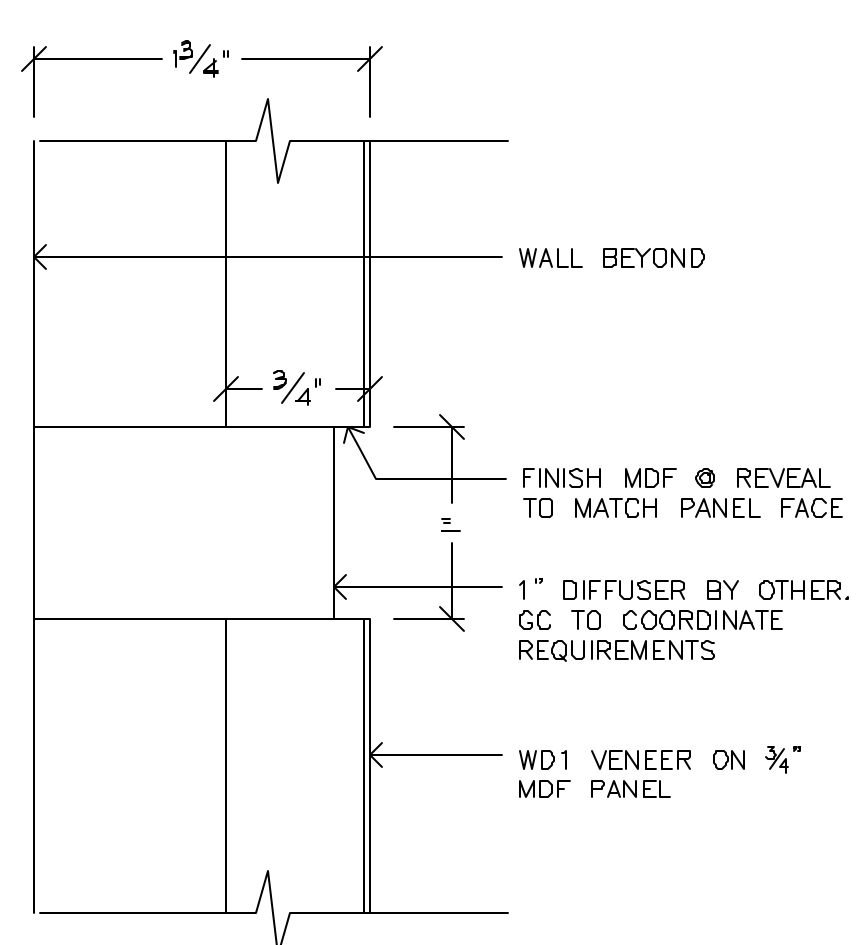
**20** DETAIL AT PANELING  
 REF: SCALE: 3" = 1'-0"



**21** DETAIL AT PANELING  
 REF: SCALE: 3" = 1'-0"



**22** SECTION AT PANELING  
 REF: SCALE: 1 1/2" = 1'



**23** DETAIL AT DIFFUSER  
 REF: SCALE: 12" = 1'-0"